

For the installer

Instructions for installation and servicing ecoTEC



Wall hung room sealed fan assisted condensing boiler

ecoTEC plus 612
ecoTEC plus 615
ecoTEC plus 618
ecoTEC plus 624
ecoTEC plus 630
ecoTEC plus 637

ecoTEC plus 824
ecoTEC plus 831
ecoTEC plus 837

ecoTEC pro 28
ecoTEC pro 24

Contents

1	Introduction	4	4.11	Condensate drain pipe	22
1.1	Notes on the documentation.....	4	4.12	Heating connection	23
1.1.1	Applicable documents.....	4	4.12.1	Heating flow and return connection.....	23
1.1.2	Retention of documents.....	4	4.12.2	Pressure Relief Valve.....	24
1.1.3	Safety instructions and symbols.....	4	4.13	Connecting the flue system to the boiler	24
1.2	Introduction	4	4.14	Electrical connection.....	24
1.3	General Notes.....	4	4.14.1	General requirements	24
1.4	CE marking	5	4.14.2	Connection to the main supply	25
1.5	Gas council numbers.....	5	4.14.3	Electric board layout	26
			4.15	Controls.....	29
2	Boiler specifications	6	4.15.1	Vaillant controls and accessories	29
2.1	Technical data.....	6	4.15.2	External electrical controls	29
2.2	Dimensions	8	4.15.3	Connection details for external time switches and boiler terminal strip.....	29
2.4	Installation.....	9	4.15.4	Vaillant optional plug in timer accessories	29
2.5	Type plate	9	4.15.5	Connection details using the VR 65 Control Center.....	29
			4.16	Thermostatic radiator valves.....	29
			4.17	Frost protection	30
			4.18	Circulating pump	30
			4.19	Anticycling 'economiser' control.....	30
			4.20	Automatic pump spin control (APS).....	30
3	General requirements	10	5	Commissioning Part I	30
3.1	Preliminary remarks for room sealed appliances	10	5.1	Preliminary electrical checks.....	30
3.2	Related documents	10	5.2	Gas supply.....	30
3.3	Contents included with delivery	10	5.3	Cold water supply (ecoTEC combination boilers only)	30
3.4	Installation site.....	12	5.4	Filling and bleeding the heating system	30
3.5	Gas supply	13	5.4.1	Checking the filling pressure of the heating system	31
3.6	Flue pipe	13	5.4.2	ecoTEC plus combination boiler filling loop	31
3.6.1	Standard 100 mm flue system	13	5.4.3	Filling the heating system in ecoTEC pro combination boilers and ecoTEC plus system boilers	32
3.6.2	Optional 125 mm flue system	13	5.4.4	Filling the heating system for the first time	32
3.7	Flue termination.....	14	5.5	Initial system flush ("cold")	32
3.8	Air supply	14	5.6	Filling the condensate siphon	32
3.9	Electrical supply.....	15	5.7	Adjusting the pumping capacity	33
3.10	Guide to system requirements.....	15	5.8	Adjusting the by-pass	33
3.10.1	Water circulation system	15	5.9	Checking the gas supply.....	33
3.10.2	Filling and preparing heating system.....	15	5.9.1	Factory settings	33
3.10.3	Pressure relief valve	15	5.9.2	Gas inlet working pressure.....	33
3.10.4	Pressure gauge.....	15	5.9.3	Checking the gas rate	34
3.10.5	Expansion vessel	15	5.10	Refitting the case.....	34
3.11	Pump specifications	16	5.11	Adjusting the central heating output (range rating).....	35
3.11.1	Circulating pump	16	5.12	Gas changeover	35
3.11.2	System by-pass.....	16			
3.11.3	Venting.....	16	6	Functional checks (commissioning part II)	35
3.12	Condensate trap.....	16	6.1	Functional checks.....	35
4	Boiler installation sequence	16	6.1.1	Procedure	35
4.1	Transporting the appliance	16	6.1.2	Heating.....	36
4.2	Required minimum distances/assembly clearances	18	6.1.3	Water heating (combination boilers only).....	36
4.2.1	Select position for boiler	18	6.1.4	Final flush of the heating system ("hot")	36
4.2.2	Unpack the boiler.....	18	6.2	Handing over to the user	36
4.2.3	Using boiler template	19	6.3	Vaillant warranty	37
4.3	Flue exit.....	20			
4.4	Fitting the boiler hanging bracket	20			
4.5	Installing the flue system.....	20			
4.6	Fitting the boiler	20			
4.7	Removing the front case	20			
4.8	General instructions for heating system	20			
4.9	Gas connection.....	21			
4.10	Cold water mains inlet and hot water outlet (ecoTEC combination boilers only).....	21			

7	Inspection and maintenance	37
7.1	Initial inspection	37
7.1.1	Safety instructions	37
7.1.2	Maintenance	38
7.1.3	Overview of the inspection and maintenance tasks	38
7.1.4	Functional check of boiler operation	38
7.2	Servicing the burner module	39
7.2.1	Removing the burner module	39
7.2.2	Cleaning the integral condensation heat exchanger	39
7.2.3	Checking the burner	40
7.2.4	Refitting the burner module	40
7.3	Cleaning the condensate siphon	41
7.4	Checking the expansion vessel	42
7.5	Recommissioning the boiler	42
7.6	Test operation	42
8	Troubleshooting	42
8.1	Logical fault finding procedure	42
8.1.1	Status codes	43
8.1.2	Diagnostic codes	43
8.1.3	Fault codes	46
8.1.4	Fault memory	46
8.4	Test programs	48
8.5	Resetting parameter to factory settings	48
9	Parts replacement	48
9.1	Safety instructions	48
9.2	Replacing burner	48
9.3	Replacing fan or gas valve	49
9.4	Replacing expansion vessel	49
9.5	Replacing primary heat exchanger	50
9.6	Replacing electronics and display	51
9.7	Check CO ₂ content and if necessary set (air-ratio adjustment)	51
10	Recycling and disposal	52
11	Vaillant service	52
	Appendix	
	EG declaration of conformity	53
	Benchmark gas boiler commissioning checklist	54

1 Introduction

1.1 Notes on the documentation

The following information is intended to help you throughout the entire documentation. Further documents apply in combination with this installation and maintenance manual.

We assume no liability for any damage caused by non-observance of these manuals.

1.1.1 Applicable documents

The following additional documents are provided with the appliance:

For the owner of the system:

Instructions for use	Nr. 838402
Brief users instructions (only ecoTEC plus)	no. 838404
Warranty card with return envelope	no. 802922

For the qualified technician:

Instructions for installation and servicing	no. 839592
Flue installation instructions	no. 834449

The manuals for any accessories and controllers used also apply.

1.1.2 Retention of documents

Please pass on this installation manual to the owner of the system. The owner should retain the manuals so that they are available when required.


1.1.3 Safety instructions and symbols


Please observe the safety instructions in this manual for the installation of the appliance!

Symbols used in the manual are explained below:

 **Danger!**
Immediate danger to life and limb!

 **Danger!**
Risk of death from electric shock!


 **Danger!**
Risk of burns or scalding!

 **Caution!**
Potentially dangerous situation for the product and environment!

 **Note**
Useful information and instructions.

- Symbol for a necessary task

1.2 Introduction

 **Note**
This boiler must be installed and serviced by a competent person in accordance with the Gas Safety (Installation and Use) Regulations 1998. In the UK 'CORGI' registered installers undertake the work in compliance with safe and satisfactory standard.

ecoTEC combination boiler

The ecoTEC combination boiler is a fully automatic, wall mounted, room sealed condensing (high efficiency) boiler for central heating and domestic hot water. Domestic hot water is supplied directly from the boiler, without requiring a copper cylinder, cold water tank, feed and expansion vessel and associated pipework. Domestic hot water has priority over central heating. The ecoTEC plus combination boiler consists of 3 models with outputs of 23 kW, 31 kW and 37 kW for domestic hot water and two pro versions with outputs of 24 kW and 28 kW for domestic hot water. All versions are available in natural gas. The ecoTEC plus 831 is also available in LPG.

ecoTEC combination boilers incorporate a warm start facility that keeps the domestic hot water heat exchanger hot, providing an instantaneous delivery of domestic hot water. The temperature in the domestic hot water heat exchanger is limited by the boiler control system and it is not necessary to install a scale reducer on the cold mains to the boiler. However, in areas that get exceptionally hard water, a scale reducer may be fitted to prevent scale formation in the hot water system pipes. The heating system on ecoTEC plus combination boilers can be filled using the built-in filling loop contained within the boiler.

ecoTEC system boiler

The ecoTEC system boiler is a fully automatic, wall mounted, room sealed condensing (high efficiency) boiler for central heating and domestic hot water (where a separate indirect hot water storage cylinder is also incorporated in the system). The ecoTEC system boiler consists of models with outputs of 12, 15, 18, 24, 30 and 37 kW. All ecoTEC system boilers are available in Natural Gas. The ecoTEC plus 618 and 630 are also available in LPG.

1.3 General Notes

The boilers have been designed for use with a sealed central heating system, and come fully tested and assembled with a built in circulating pump, expansion vessel and diverter valve (ecoTEC combination boilers). The boilers are easily mounted on any internal wall and can be installed with either a horizontal or vertical RSF (room sealed fan assisted) flue.

The boilers use a standard flue system (100 mm or 125 mm outside diameter). Flue extensions and additional bends and elbows are available for the flue system to

increase the flexibility. If desired, an inhibitor may be used in the system. Guidance on the use of inhibitors is contained in these instructions.

All boilers have a built in diagnostic system which indicates the operational status of the boiler. This feature provides key information to aid commissioning and fault finding. The data badge is fitted to the underside of the boiler. See text of General Requirements for installation requirements or notes.

The Vaillant ecoTEC are state-of-the-art appliances which have been constructed in accordance with recognised safety regulations. Nevertheless, danger to the life and limb of the user or third parties can still occur or the appliance or other material assets be damaged in the event of improper use.

The appliance is designed to generate heat for connecting to hot water central heating systems and for instantaneous hot water supply (ecoTEC combination boilers only). Any other use or extended use is considered to be use other than intended. The manufacturer/supplier is not liable for any resulting damage.

Intended use includes the observance of the operating and installation manual and the adherence to the inspection and maintenance conditions.



Danger!

Any incorrect use is forbidden.

The appliances must be installed by a competent person, who is responsible for adhering to the existing regulations, rules and guidelines.

1.4 CE marking



The CE marking shows that the appliances comply with the basic requirements of the following directives:

- Gas appliances directive (90/396/EEC)
- Electromagnetic compatibility directive with threshold class B (89/336/EEC)
- Low voltage directive (73/23/EEC)

The appliances satisfy the basic requirements of the efficiency directive (92/42/EEC) as condensing appliance.

- The Gas Appliance (Safety) Regulations 1992
- The boiler (Efficiency) Regulations 1993



The mark of quality for domestic heating



Vaillant Ltd. supports the Benchmark initiative.

At the rear of this guide, you will find a Benchmark gas boiler commissioning checklist. It is very important that this is completed correctly at the time of installation, commissioning and hand over to the user.

1.5 Gas council numbers

Appliance	Gas council numbers
ecoTEC pro 24	47-044-36
ecoTEC pro 28	47-044-30
ecoTEC plus 824	47-044-31
ecoTEC plus 831	47-044-32
ecoTEC plus 831 Propane	47-044-34
ecoTEC plus 837	47-044-33
ecoTEC plus 612	41-044-44
ecoTEC plus 615	41-044-45
ecoTEC plus 618	41-044-46
ecoTEC plus 618 Propane	41-044-51
ecoTEC plus 624	41-044-47
ecoTEC plus 630	41-044-48
ecoTEC plus 630 Propane	41-044-50
ecoTEC plus 637	41-044-49

Table 1.1 Gas council numbers

2 Boiler specifications

2 Boiler specifications

2.1 Technical data

Technical data	ecoTEC plus			ecoTEC pro		Units
	824	831	837	24	28	
CH heat output range						
80 °C flow/60 °C return	6.7 - 19.0	8.7 - 24.0	12.0 - 28.0	6.7 - 19.0	9.0 - 24.0	kW
60 °C flow/40 °C return	6.9 - 19.6	9.0 - 24.7	12.3 - 28.9	6.9 - 19.6	9.3 - 24.7	kW
50 °C flow/30 °C return	7.1 - 20.2	9.2 - 25.5	12.7 - 29.7	7.1 - 20.2	9.6 - 25.5	kW
40 °C flow/30 °C return	7.2 - 20.6	9.4 - 26.0	12.9 - 30.3	7.2 - 20.6	9.8 - 26.0	kW
Maximum DHW output	23.0	31.0	37	23.0	28.0	kW
Maximum output for heating	19	24	28	19	24	kW
Minimum output	6.7	8.7	12	6.7	9.0	kW
Category	II _{2H3P}					
SEDBUK Band	A	A	A	A	A	Band
SAP Seasonal Efficiency	91.1					%
Inlet gas working pressure required (G20, natural gas)	20					mbar
Inlet gas working pressure required (G31, Propane)	37					mbar
Connected load (if needed, related to stored charge/ water heating) at 15 °C and 1013 mbar	G20: 2.5 G31: 1.82	G20: 3.3 G31: 2.46	G20: 4.0 G31: 2.94	G20: 2.5 G31: 1.82	G20: 3.0 G31: 2.22	m ³ /h kg/h
Exhaust mass rate						
at minimum thermal load (40 °C flow/30 °C return)	3.2	4.2	5.7	3.2	4.4	g/s
at maximum thermal load (80 °C flow/60 °C return)	10.7	14.4	17.1	10.7	13.0	g/s
Exhaust temperature						
at minimum thermal load (40 °C flow/30 °C return)	40	40	40	40	40	°C
at maximum thermal load (80 °C flow/60 °C return)	74	83	70	74	74	°C
NOx class	5					
Protection class	IP X4D					
max. flow temperature	85					°C
Adjustable flow temperature						
Default setting: max. 75 °C	30 - 85		40 - 85	30 - 85		°C
Maximum CH system pressure	3.0					bar
Circulation water volume (ΔT=20 K)	817	1032	1204	817	1032	l/h
Approx. condensation volume						
at 50 °C flow/30 °C return heating	1.8	2.2	2.9	1.8	2.2	l/h
Pump delivery height	250					mbar
Minimum DHW flow rate	1.5					l/min
DHW flow rate ΔT=35 K rise	9.4	12.7	15.2	9.4	11.5	l/min
Appr. DHW flow rate at factory set temp. rise (ΔT=42 K)	7.9	10.6	12.6	7.9	9.6	l/min
Permitted DHW overpressure	10					bar
Mains water pressure required for max. flow rate	0.5	0.75	0.75	0.5	0.5	bar
Mains water pressure required for min. flow rate	0.15					bar
Hot water discharge temperature range	35 - 65					°C
Exhaust flue	60/100					mm
Flue categories	C13, C33, C43, C53, C83, B23, B33					
10 l expansion vessel pre-charge pressure	0.75					bar
Connections heating flow/return	22					mm
Gas inlet	15		22	15		mm
Pressure relief discharge pipework (min.)	15					mm
Condensate drain (min. internal drain)	19					mm
Dimensions (H x W x D)	720 x 440 x 335	720 x 440 x 335	720 x 440 x 403	720 x 440 x 335	720 x 440 x 335	mm
Weight (boiler only)	35	38	43	34	37	kg
Primary water content	1.9	2.3	2.5	1.9	2.1	l
Electrical supply voltage	230/50					V ~/Hz
Internal fuse (slow) main voltage	2					A
Power input	110	125	140	110	115	W

Table 2.1 Technical data ecoTEC combination boiler

Technical data	ecoTEC plus						Units
	612	615	618	624	630	637	
CH heat output range							
80 °C flow/60 °C return	4.9 - 12.0	4.9 - 15.0	6.7 - 18.0	8.7 - 24.0	10.0 - 30.0	12.0 - 37.0	kW
60 °C flow/40 °C return	5.1 - 12.3	5.1 - 15.5	6.9 - 18.6	9.0 - 24.7	10.3 - 30.9	12.3 - 38.2	kW
50 °C flow/30 °C return	5.2 - 12.7	5.2 - 15.9	7.1 - 19.1	9.2 - 25.5	10.6 - 31.8	12.7 - 39.3	kW
40 °C flow/30 °C return	5.3 - 12.9	5.3 - 16.2	7.2 - 19.5	9.4 - 26.0	10.8 - 32.4	12.9 - 40.1	kW
Category	II _{2H3P}						
SEDBUK Band	A	A	A	A	A	A	Band
SAP Seasonal Efficiency	91.2						%
Inlet gas working pressure required (G20, natural gas)	20						mbar
Inlet gas working pressure required (G31, Propane)	37						mbar
Connected load (if needed, related to stored charge/water heating) at 15 °C and 1013 mbar	G20: 1.3 G31: 0.95	G20: 1.6 G31: 1.19	G20: 1.9 G31: 1.43	G20: 2.6 G31: 1.90	G20: 3.2 G31: 2.38	G20: 4.0 G31: 2.94	m ³ /h kg/h
Exhaust mass rate							
at minimum thermal load (40 °C flow/30 °C return)	2.3	2.3	3.2	4.2	4.8	5.7	g/s
at maximum thermal load (80 °C flow/60 °C return)	5.6	7.0	8.3	11.2	13.9	17.1	g/s
Exhaust temperature							
at minimum thermal load (40 °C flow/30 °C return)	40			40	40	40	°C
at maximum thermal load (80 °C flow/60 °C return)	70			75	83	70	°C
NOx class	5						
Protection class	IP X4D						
max. flow temperature	85						°C
Adjustable flow temperature Default setting: max. 75 °C	30 - 85						°C
Maximum CH system pressure	3.0						bar
Circulating water volume (ΔT=20 K)	516	645	774	1032	1290	1591	l/h
Approx. condensation volume at 50 °C flow/30 °C return heating	1.1	1.4	1.7	2.2	2.7	3.8	l/h
Pump delivery height	250						mbar
Adjustable storage target value (15 °C at left stop, spare adjusting range 40 - 70 °C)	15 - 70						°C
Exhaust flue	60/100						mm
Flue categories	C13, C33, C43, C53, C83, B23, B33						
10 l expansion vessel pre-charge pressure	0.75						bar
Connections heating flow/return	22						mm
Gas inlet	15					22	mm
Pressure relief discharge pipework (min.)	15						mm
Condensate drain (min. internal drain)	19						mm
Dimensions (H x W x D)	720 x 440 x 335				720 x 440 x 369	720 x 440 x 403	mm
Weight (boiler only)	35	35	35	37	38	40	kg
Primary water content	1.9	1.9	1.9	2.1	2.3	2.5	l
Electrical supply voltage	230/50						V ~/Hz
Internal fuse (slow) main voltage	2						A
Power input	100	110	100	110	110	140	W

Table 2.2 Technical data ecoTEC system boiler

2 Boiler specifications

2.2 Dimensions

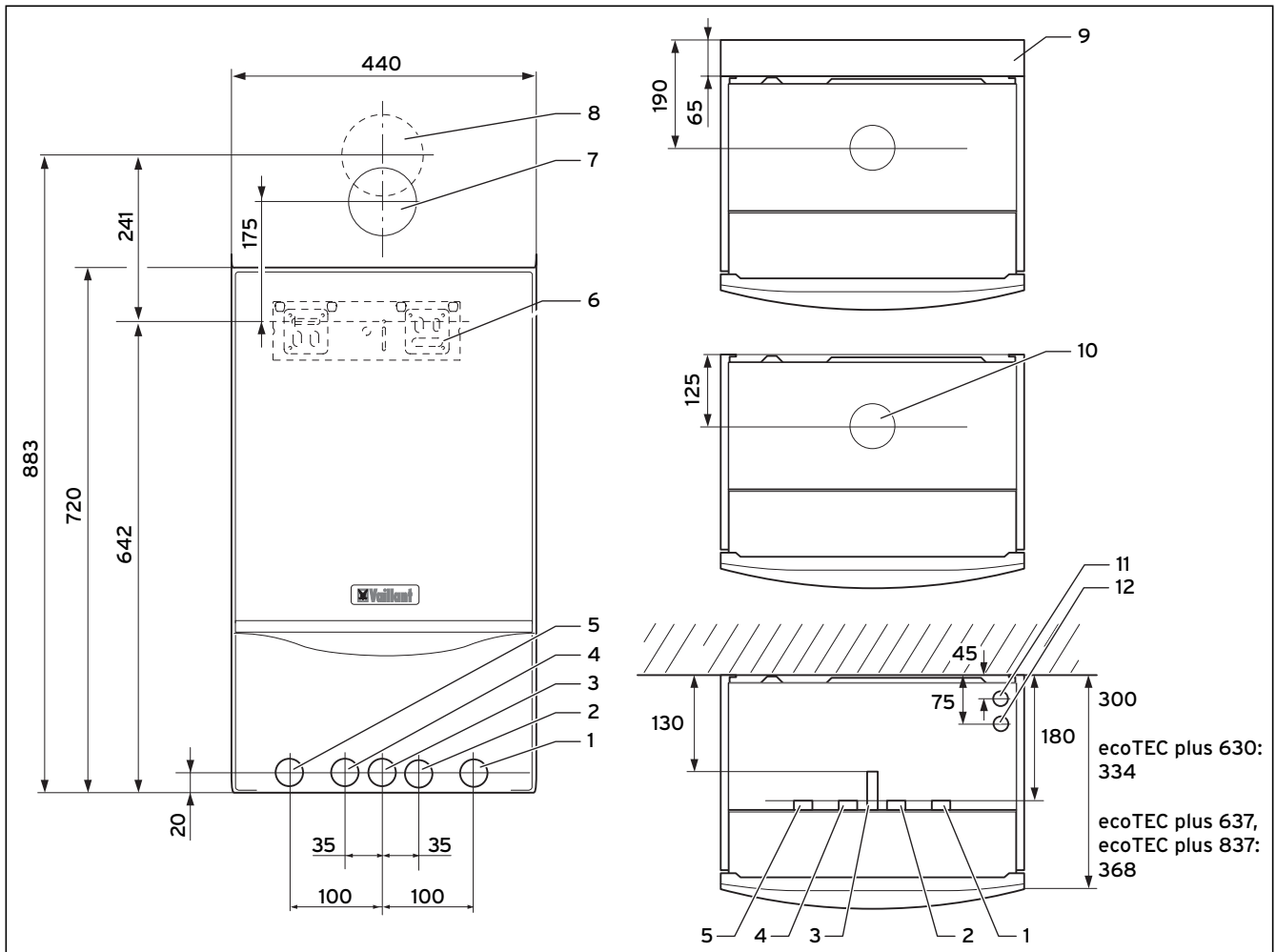


Fig. 2.1 Dimensions in mm

Legend:

- 1 Heating return pipe \varnothing 22 mm
- 2 Cold water connection \varnothing 15 mm (combination boilers only)
- 3 Gas connection \varnothing 15 mm
- 4 Hot water connection \varnothing 15 mm (combination boilers only)
- 5 Heating flow pipe \varnothing 22 mm
- 6 Hanging bracket
- 7 Flue hole - flue system 60/100
- 8 Flue hole - flue system 80/125
- 9 Spacer frame accessory (Art. No.: 308 650)
- 10 Flue pipe connection
- 11 Condensate drain connection (\varnothing 19 mm)
- 12 Heating system expansion relief valve connection (\varnothing 15 mm)



Note

With the spacer frame (Art. No 308 650), the pipes can be run behind the boiler. The distance of the appliance from the wall thus increases by 65 mm.

2.4 Installation

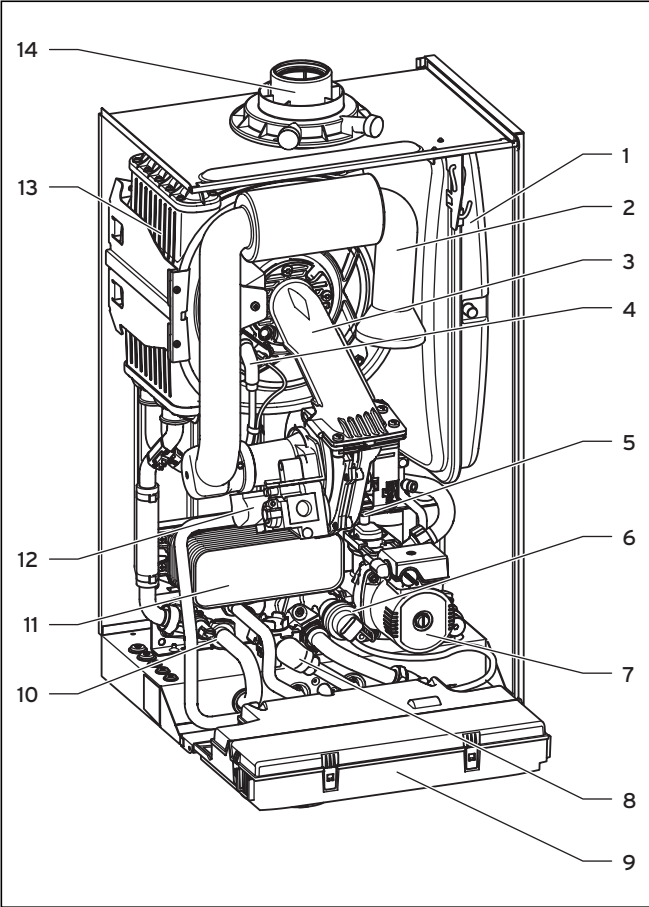


Fig. 2.2 Function elements of combination boilers

Legend:

- 1 Expansion vessel
- 2 Air intake pipe
- 3 Burner module
- 4 Ignition electrode
- 5 Fan
- 6 Diverter valve with by-pass
- 7 Pump
- 8 Aqua-Sensor
- 9 Electronics box
- 10 Pressure sensor
- 11 Hot water heat exchanger
- 12 Gas valve
- 13 Heat exchanger
- 14 Flue pipe connection

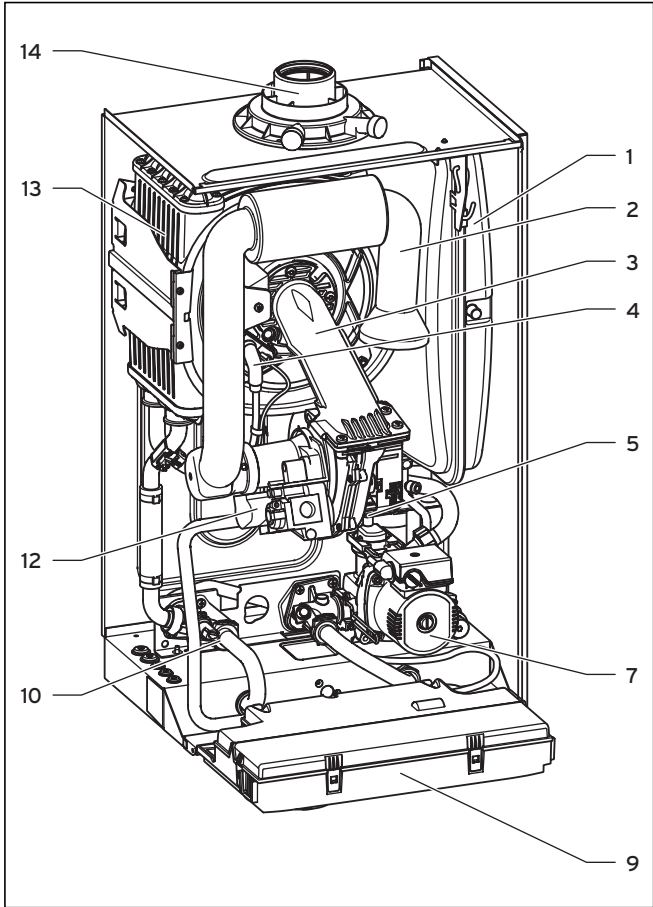


Fig. 2.3 Function elements of system boilers

Legend:

- 1 Expansion vessel
- 2 Air intake pipe
- 3 Burner module
- 4 Ignition electrode
- 5 Fan
- 7 Pump
- 9 Electronics box
- 10 Pressure sensor
- 12 Gas valve
- 13 Heat exchanger
- 14 Flue pipe connection

2.5 Type plate

The type plate of the Valliant ecoTEC is attached to the bottom of the appliance at the factory.

3 General requirements

3 General requirements

3.1 Preliminary remarks for room sealed appliances

This appliance should only be installed in conjunction with either a Vaillant flue system or an alternative approved system (details of flue approval categories can be found in the technical section of the installation manual).

Install the flue system as detailed in the separate flue installation instructions supplied with this boiler.

3.2 Related documents

The installation of the boiler must be in accordance with the relevant requirements of Gas Safety (Installation and Use) Regulations 1998, Health and Safety Document No. 635 (The Electricity at Work Regulations 1989), BS7671 (IEE Wiring Regulations) and the Water Supply (Water Fitting) Regulations 1999, or The Water Bylaws 2000 (Scotland). It should also be in accordance with the relevant requirements of the Local Authority, Building Regulations, The Building Regulations (Scotland), The Building Regulations (Northern Ireland) and the relevant recommendations of the following British Standards: BS 6700: Services supplying water for domestic use within buildings and their curtilages.

BS 6798: Specification for installation of gas fired boilers not exceeding 60kW input.

BS 6891: Specification for installation of low pressure gas pipework up to 28 mm (R1) in domestic premises (2nd family gas).

BS 7593: Treatment of water in domestic hot water central heating systems. Institute of Gas Engineers Publication IGE/UP/7/1998: "Guide for gas installations in timber framed housing"

BS. 5482: Pt. 1 Domestic butane and propane gas burning installations.

IGE/UP1: Soundness testing and purging of industrial and commercial gas installation.

IGE/UP2: Gas installation pipework, boosters and compressors on industrial and commercial premises.

IGE/UP10. Installation of gas appliances in industrial and commercial premises.

BS. 6644: Installation of gas fired hot water boilers of rated inputs between 60 kW and 2 MW (2nd and 3rd family gases).

BS. 5449: Forced circulation hot water central heating systems for domestic premises. Note: only up to 45 kW.

BS. 6880: Low temperature hot water heating systems of output greater than 45 kW.

Part 1 Fundamental and design considerations.

Part 2 Selection of equipment.

Part 3 Installation, commissioning and maintenance.

BS. 4814: Specification for: Expansion vessels using an internal diaphragm, for sealed hot water heating systems.

BS. 5440: Installation and maintenance of flues and ventilation for gas appliances of rated input not exceeding 70 kW net (1st, 2nd and 3rd family gases).

Part 1 Specification for installation of flues.

Part 2 Specification for installation and maintenance of ventilation for gas appliances.

European installation directive



Important:

The appliance must be installed and serviced by a competent person as stated in the Gas Safety (Installation and Use) Regulations 1998. In IE, the installation must be in accordance with the current edition of I.S.813 'Domestic Gas Installations', the current Building Regulations and reference should be made to the current ETCI rules for electrical installation.



Important:

When tightening or slackening screwed connections always use suitable open-ended spanners (not pipe wrench, or extensions, etc.). Incorrect use and/or unsuitable tools can lead to damage being caused (e.g. gas or water leakage)!

3.3 Contents included with delivery

The Vaillant ecoTEC is delivered pre-mounted in a package unit. Check that all the parts have been delivered intact (see fig. 3.1 and table 3.1, fig. 3.2 and table 3.2 and fig. 3.3 and table 3.3).

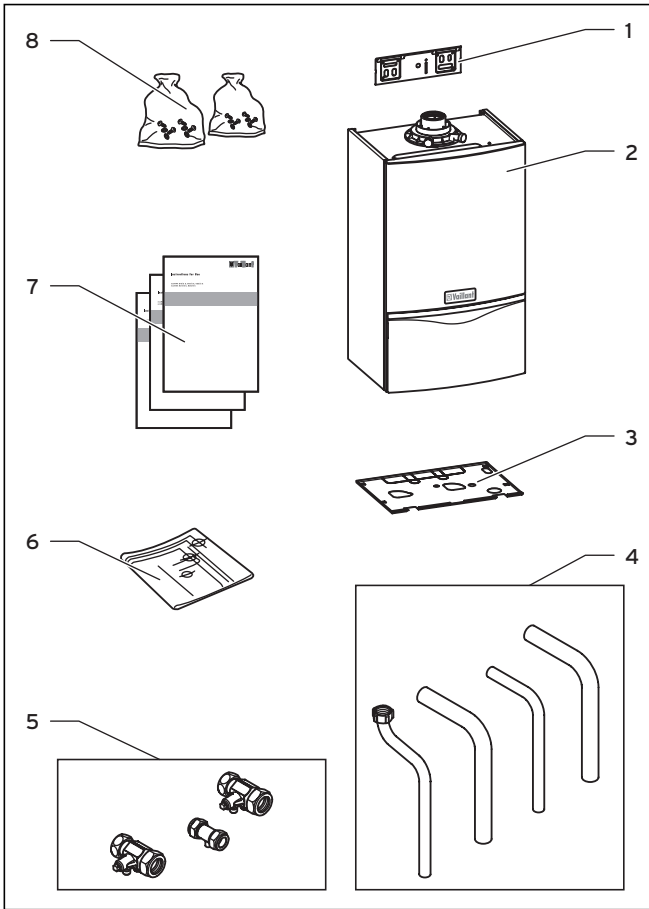


Fig. 3.1 Contents included with delivery of ecoTEC plus system boilers

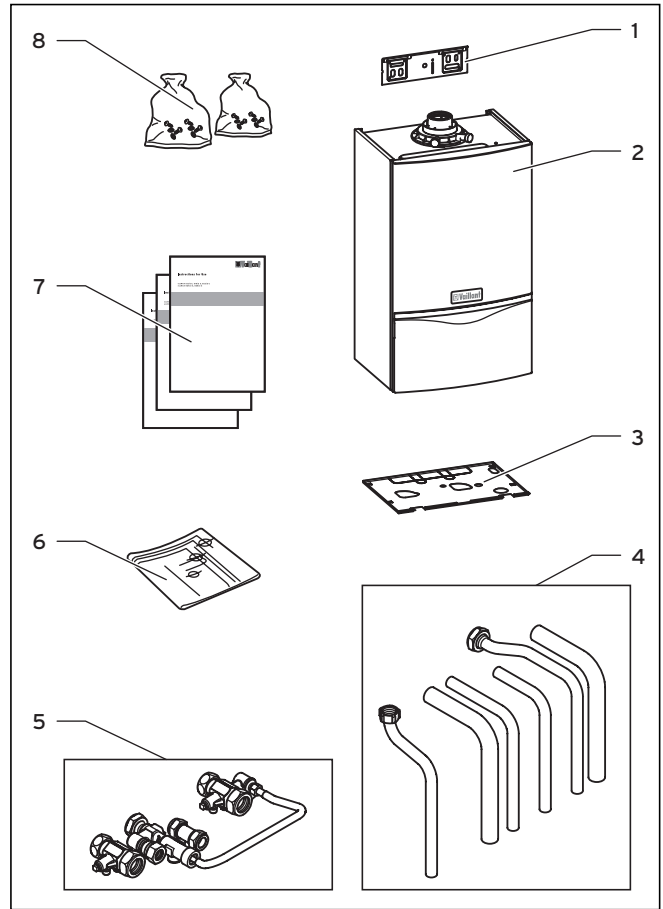


Fig. 3.2 Contents included with delivery of ecoTEC plus combination boilers

DO NOT remove the boiler from the polystyrene base at this stage.

DO NOT remove the boiler from the polystyrene base at this stage.

Item	Quantity	Description
1	1	Hanging bracket
2	1	Boiler
3	1	Bottom cover
4	4	Connecting pipes (gas, heating, safety valve)
5	3	Isolating valves
6	1	Template
7	3	User, installation and service and flue installation manuals
8	2	Installation and connection accessories
	2	For LPG appliances, extra: 1 sticker each for tank and ventilation (above Fig.)

Table 3.1 Contents included with delivery of ecoTEC plus system boilers

Item	Quantity	Description
1	1	Hanging bracket
2	1	Boiler
3	1	Bottom cover
4	6	Connecting pipes (gas, heating, water, safety valve)
5	4	Isolating valves and filling loop
6	1	Template
7	3	User, installation and service and flue installation manuals
8	2	Installation and connection accessories
	2	For LPG appliances, extra: 1 sticker each for tank and ventilation (above Fig.)

Table 3.2 Contents included with delivery of ecoTEC plus combination boilers

3 General requirements

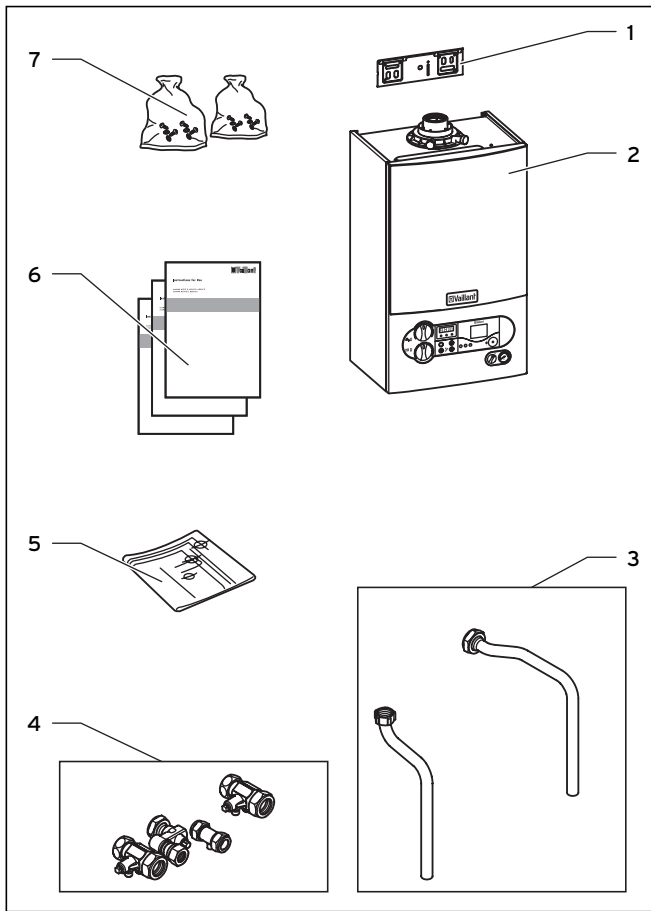


Fig. 3.3 Contents included with delivery of ecoTEC pro combination boilers

DO NOT remove the boiler from the polystyrene base at this stage.

Item	Quantity	Description
1	1	Hanging bracket
2	1	Boiler
3	2	Connecting pipes (hot water, heating safety valve)
4	4	Isolating valves
5	1	Template
7	1	User, installation and service and flue installation manuals
8	2	Installation and connection accessories

Table 3.3 Contents included with delivery of ecoTEC pro combination boilers

3.4 Installation site

The location chosen for the boiler must permit the provision of a satisfactory flue termination. The location must also provide adequate space for servicing and air circulation around the boiler. The boiler may be installed in any room, although particular attention is drawn to the requirements of BS 7671 (IEE Regulations), the electrical provisions of the Building Standards (Scotland) Regulations, and in IE the current edition of IS 813 and the current ETCI rules, in respect of the installation of a boiler in a room containing a bath or shower.



Note

If a room sealed boiler is installed in a room with a bath or shower, electrical switches or boiler controls using the mains power supply must be placed at locations that cannot be reached by the person in the bath or shower.

If the boiler is installed in an unusual location, special procedures may be necessary and BS 5546 and BS 6798 give detailed guidance on this aspect. The boiler must be mounted on a flat, vertical wall, which must be sufficiently robust to take the weight of the boiler. The boiler may be installed on a combustible wall, subject to the requirements of the Local Authorities and Building Regulations.

A compartment used to enclose the boiler must be designed and constructed specifically for this purpose. (An existing cupboard or compartment may be used provided that it is modified for the purpose). Details of essential features of cupboard/compartment design including airing cupboard installations are given in BS 6798. If the boiler is to be fitted in a timber framed building, it should be fitted in accordance with Institute of Gas Engineers Publication IGE/UP/7/1998 "Guide for Gas Installation in Timber Framed Housing". Please note the safety instructions below before deciding where to install the boiler:



Caution!

Do not install the appliance in rooms prone to frost. In rooms with aggressive steam or dust, the appliance must be operated independent of the ambient air.

When choosing the place of installation and while operating the appliance, make sure that the air supply is free of chemical substances containing fluorine, chlorine, sulphur etc. Sprays, solvents and cleaning agents, paints, adhesives etc. contain the kind of substances that can lead to corrosion even in the exhaust system when the appliance is operated depending on the ambient air in the worst case scenario. Particularly in hair-cutting salons, lacquering and finishing, cleaning facilities, the appliance must be operated independent of the ambient air! Otherwise, a separate installation room is required to guarantee that the air supply is free of the above mentioned substances.

3.5 Gas supply

The gas supplier should ensure the availability of an adequate supply of gas. A gas meter may only be connected to the service pipe by the supplier of gas or their contractor. An existing meter should be checked to ensure that it is capable of passing the rate of gas supply required.

Installation pipes should be fitted in accordance with BS 6891. In IE the current edition of IS 813. Pipework from the meter to the boiler must be of an adequate size. Do not use pipes of a smaller size than the boiler gas connection (15 mm). The complete installation must be checked for leaks and purged as described in BS 6891.

3.6 Flue pipe



Danger!

Vaillant appliances are certified only for use with genuine Vaillant flue pipes. Only use genuine Vaillant flue pipes. Malfunctions can occur if you use other accessories. These may result in damage and injury. You will find a list of genuine flue pipes in the Vaillant installation manual for flue pipes.

The CE mark is valid only if the appliance is operated with Vaillant flue pipes.

3.6.1 Standard 100 mm flue system

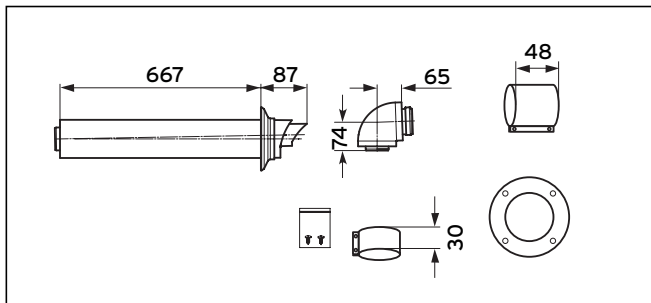


Fig. 3.4 Art. No. 303 933

A standard 100 mm flue system (Art. No. 303 933) is available. Refer to flue system installation instructions for full details.

Flue extensions are available to extend this length up to 8 m. Both 90° bends and 45° elbows are also available to increase siting flexibility.

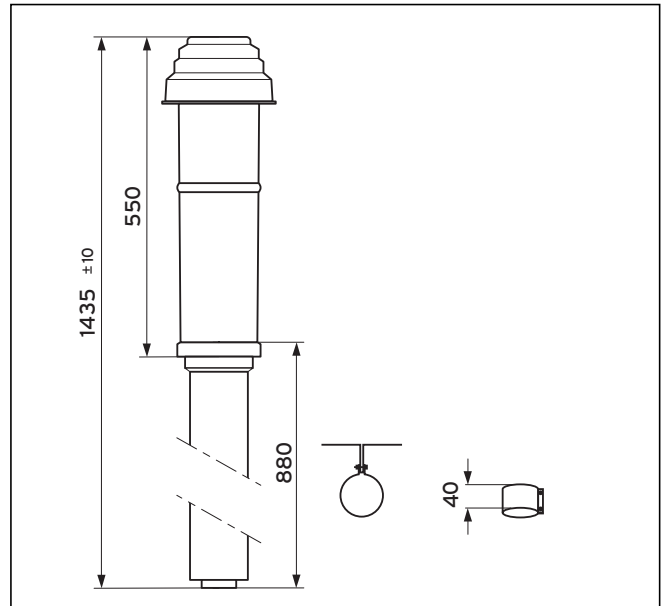


Fig. 3.5 Art. No. 303 900

3.6.2 Optional 125 mm flue system

A concentric flue system of 125 mm outside diameter is available and can be used to achieve flue lengths up to 25 m.

A vertical flue system is also available. Refer to flue system installation instructions for full details.

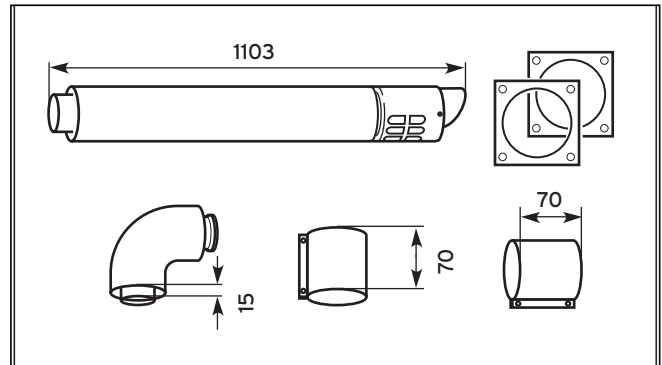


Fig. 3.6 Art. No. 303 209

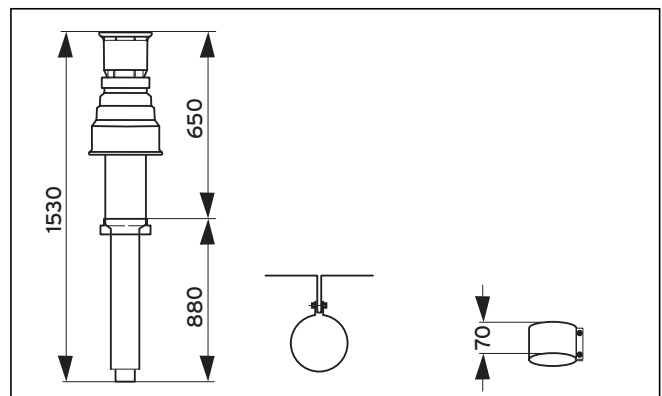


Fig. 3.7 Art. No. 303 200

3 General requirements

3.7 Flue termination

The following details refer to both flue systems.

- The terminal must be located where the combustible substances can escape freely at all times.
- A plume of water vapour will sometimes be visible from the flue terminal. Positions where this could be a nuisance should be avoided.
- If the terminal is fitted less than 2 m above a balcony, above ground or above a flat roof to which people have access then a suitable terminal guard must be provided and fitted (made by Tower Flue Components, Tonbridge, TN9 1TB, Model K3, plastic coated).

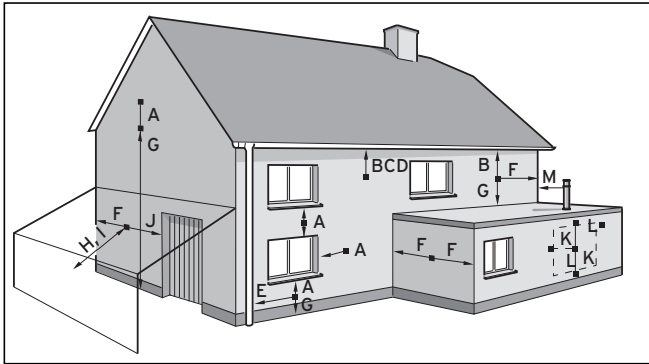


Fig. 3.8 Flue termination

Note
Vertical flues must not terminate within 600 mm of an openable window, air vent or any other ventilation opening.

The flue assembly shall be so placed or shielded as to prevent ignition or damage to any part of the building.

	Terminal position	mm
A	Directly below an opening, above an opening or horizontal to an opening, air brick, opening window, etc.	300
B	Below gutters, soil pipes or drain pipes	75
C	Below eaves	200
D	Below balconies	200
E	From vertical drain pipes and soil pipes	25
F	From internal or external corners	300
G	Above ground, roof or balcony	300
H	From a surface facing a terminal	600
I	From a terminal facing a terminal	1200
J	From an opening (e.g. door, window) into the dwelling	1200
K	Vertically from a terminal on the same wall	1500
L	Horizontally from a terminal on the same wall	300
M	Distance from adjacent for vertical Flue	500

Table 3.4 Terminal position for a fan assisted concentric flue

Note
In addition, the terminal should not be nearer than 150 mm to an opening in the building fabric formed for the purpose of accommodating a built-in element such as a window.

BS5440-1: It is recommended that the fanned flue terminal should be positioned as follows:

- at least 2 m from an opening in the building directly opposite, and
 - so that the products of combustion are not directed to discharge across a boundary.
- Dimensions B, C and D:
These clearances may be reduced to 25 mm without affecting the performance of the boiler. In order to ensure that the condensate plume does not affect adjacent surfaces the terminal should be extended as shown in Fig. 3.9.
 - Dimension F:
This clearance may be reduced to 25 mm without affecting the performance of the boiler. However, in order to ensure that the condensate plume does not affect adjacent surfaces a clearance of 300 mm is preferred. For IE, recommendations are given in the current edition of IS 813.

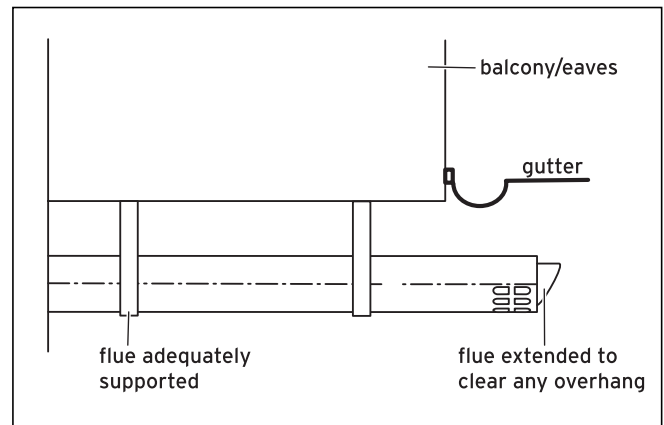


Fig. 3.9 Flue termination under balcony/eaves

3.8 Air supply

Detailed recommendations for air supply are given in BS5440: Part 2.

It is not necessary to have an air vent in the room or internal space in which the boiler is installed.

Cupboard or compartment ventilation

The boilers are very high efficiency appliances. As a consequence the heat loss from the appliance casing during operation is very low. For cupboard or compartment installations it is therefore not necessary to provide any high or low level permanent air vents for cooling purposes.

3.9 Electrical supply

A 230 V, ~ 50 Hz single phase electricity supply fused to 3 Amp. must be provided in accordance with the latest edition of BS 7671 (IEE Wiring Regulations) and any other local regulations that may apply. In IE reference should be made to the current edition of the ETCI rules. The method of connection to the mains electricity supply must provide a means of completely isolating the boiler and its ancillary controls. Isolation is preferably by the use of a fused three pin plug and unswitched shuttered socket outlet, both complying with the requirements of BS1363. Alternatively, a 3 Amp. fused double pole switch with a 3 mm contact separation on both poles may be used.



Danger!

This appliance must be earthed.

3.10 Guide to system requirements

3.10.1 Water circulation system

Detailed recommendations for the water circulation system are given in BS 6798 and BS 5449: Part 1 (for small bore and micro bore central heating systems). Pipework not forming part of the useful heating surface should be insulated to help prevent heat loss and possible freezing, particularly where pipes are run through roof spaces and ventilated underfloor spaces. Draining taps must be located in accessible positions which permit the draining of the whole system including the boiler and the hot water system. Draining taps should be at least 1/2 in. BSP nominal size and be in accordance with BS 2879. The boiler is suitable for use with minibore or microbore systems. Copper tubing to BS 2871: Part 1 should be used for water carrying pipework. All capillary joints in all DHW pipework must be made with lead free solder. Particularly where a new boiler is to be fitted to an existing system, it is good practice that the system is thoroughly cleansed.



Important:

To prevent the formation of deposits and prevent serious damage to the appliance and system, cleansers must be used carefully and must be completely removed by thoroughly flushing the system. Cleansers should only be left in systems for a maximum of 24 hours.

This cleansing must take place prior to the fitting of the new boiler and be in accordance with BS 7593. For advice on the application of system cleansers contact Sentinel, Betz Dearborn Ltd. Widnes, Cheshire, WA8 8UD. Tel: 0151 420 9595, or Fernox, Alpha Fry Technologies, Tandem House, Marlow Way, Croydon, CRO 4XS. Tel 0870 8700362.

3.10.2 Filling and preparing heating system

The system can be filled using the built in filling loop (ecoTEC plus combination boilers only) or via a separate filling point fitted at a convenient position on the heating circuit. The connection must be removed when filling is completed. Where local Water Authority regulation does not allow temporary connection, a sealed system filler pump with break tank must be used. The heating system will not be filled automatically from the domestic hot water side. (Alternative methods of filling sealed systems are given in BS 5449).

3.10.3 Pressure relief valve

A pressure relief valve is provided with the boiler. This safety device is required on all sealed C.H. systems and is preset at 3 bar and provided with a 15 mm compression connection for a discharge pipe, which must be of no less than 15 mm in diameter. The pressure relief valve must not be used for draining purposes.

3.10.4 Pressure gauge

This is factory fitted to the boiler and indicates the primary circuit pressure to facilitate filling and testing.

3.10.5 Expansion vessel

ecoTEC boilers incorporate a 10 litre expansion vessel which is suitable for a sealed heating system with a maximum water content of 100 litres.

If the nominal capacity of the built in expansion vessel is not sufficient for the heating system (for instance in case of modernisation of old open systems) an additional expansion vessel can be installed external to the boiler. It should be fitted in the return pipe as close as possible to the boiler in accordance with BS 5449: Part 1.

Guidance on the sizing of an additional expansion vessel is given in Table 3.5.

3 General requirements

4 Boiler installation sequence

	Vessel Volume [L]	
Initial system pressure (bar)	1.0	1.5
Pressure relief valve setting (bar)	3.0	
Total water content of system litres		
25	2.7	3.9
50	5.4	7.8
100	10.9	15.6
125	13.6	19.5
150	16.3	23.4
175	19.1	27.3
200	21.8	31.2
225	24.5	35.1
250	27.2	39.0
275	30.0	42.9
300	32.7	46.8
325	35.7	50.7
350	38.1	54.6
375	40.9	58.5
400	43.6	62.4
425	46.3	66.3
450	49.0	70.2
475	51.8	74.1
500	54.5	78.0
For system volumes other than those given above, multiply the system volume by the factor across	0.109	0.156

Table 3.5 Sizing of additional expansion vessel

3.11 Pump specifications

3.11.1 Circulating pump

only ecoTEC plus:

The circulating pump is included in the boiler. The residual pump discharge height depending on the by-pass valve is shown in Fig. 3.10.

The operating mode of the 2-step pump can be adjusted below the diagnosis number "d.19", see section 8.1.2.

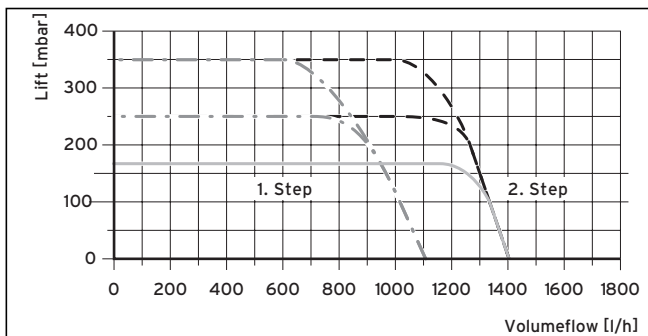


Fig. 3.10 Pump specifications ecoTEC plus

only ecoTEC pro:

The circulating pump is included in the boiler. The ecoTEC pro appliances are fitted with a single-stage pump. The residual pump discharge height depending on the by-pass valve is shown in Fig. 3.11.

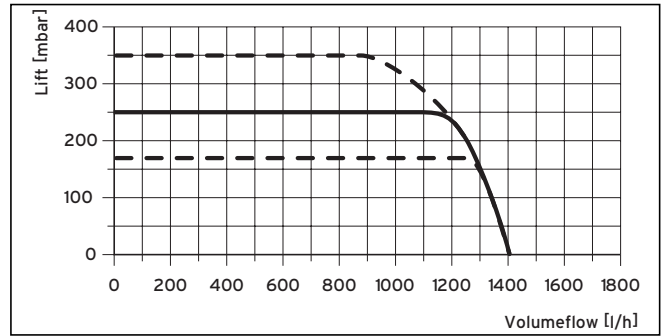


Fig. 3.11 Pump specifications ecoTEC pro

3.11.2 System by-pass

An automatic system by-pass is provided in the boiler. The boiler is suitable for use in systems with thermostatic radiator valves and no additional by-pass is required. The by-pass valve is adjustable, see section 5.8.

3.11.3 Venting

The boiler is fitted with an automatic air vent. Additional provision should be made to enable the heating system to be vented during filling and commissioning either by automatic air vents or manually.

3.12 Condensate trap

The boiler is fitted with a siphonic condensate discharge (ecoTEC plus) or a condensate trap (ecoTEC pro) incorporating a water trap of 140 mm.

4 Boiler installation sequence

4.1 Transporting the appliance



Important:

With regards to the Manual Handling Operations, 1992 Regulations, the following lift operation exceeds the recommended weight for a one man lift.

General recommendations when handling

Clear the route before attempting the lift. Ensure safe lifting techniques are used - keep back straight - bend using legs. Keep load as close to body as possible. Do not twist - reposition feet instead. If 2 persons performing lift, ensure co-ordinated movements during lift. Avoid upper body/top heavy bending - do not lean forward/sideways. Recommend wear suitable cut resistant gloves with good grip to protect against sharp edges and ensure good grip. Always use assistance if required.

Removal of carton from delivery van

Recommend 2 person lift or 1 person with use of sack truck. If 1 person is performing lift, straddle the load, tilt and place carton into position on truck. Recommend secure appliance onto truck with suitable straps. Ensure

safe lifting techniques are used - keep back straight - bend using legs. Keep load as close to body as possible. If 2 persons performing lift, ensure co-ordinated movements during lift. Always use assistance if required.

Carriage of carton from point of delivery to point of installation - ground floor.

Recommend 2 person lift or 1 person with use of sack truck. If 1 person is performing lift, straddle the load, tilt and place carton into position on truck. Recommend secure appliance onto truck with suitable straps. Ensure safe lifting techniques are used - keep back straight - bend using legs. Keep load as close to body as possible. If 2 persons performing lift, ensure co-ordinated movements during lift. Clear the route before attempting the lift. If removing boiler from truck straddle the load and tilt forwards to facilitate secure grip. Ensure safe lifting techniques are used - keep back straight - bend using legs. Do not twist - reposition feet instead. Take care to avoid trip hazards, slippery or wet surfaces and when climbing steps and stairs. Always use assistance if required.

Carriage of carton from point of delivery to point of installation - first or higher floor, cellar.

Recommend 2-person lift or 1 person with use of sack truck. If 1 person is performing lift, straddle the load, tilt and place carton into position on truck. Recommend secure appliance onto truck with suitable straps. Ensure safe lifting techniques are used - keep back straight - bend using legs. Keep load as close to body as possible. If 2 persons performing lift, ensure co-ordinated movements during lift. Avoid upper body/top heavy bending - do not lean forward/sideways. Clear the route before attempting the lift. If removing boiler from truck straddle the load and tilt forwards to facilitate secure grip. Ensure safe lifting techniques are used - keep back straight - bend using legs. Do not twist - reposition feet instead. Take care to avoid trip hazards, slippery or wet surfaces and when climbing steps and stairs. Always use assistance if required.

Carriage of carton from point of delivery to point of installation - roofspace.

Recommend 2-person lift. Ensure co-ordinated movements during lift. Avoid upper body/top heavy bending - do not lean forward/sideways. Clear the route before attempting the lift. Take care to avoid trip hazards, slippery or wet surfaces and when climbing steps and stairs. When transferring appliance into roofspace, recommend 1 person to be in roofspace to receive the appliance and other person to be below to pass up and support appliance. Ensure safe lifting techniques are used - keep back straight - bend using legs. Keep load as close to body as possible. Always use assistance if required. It is assumed safe access, flooring and adequate lighting are provided in the roof space. It is recommended a risk assessment of the roof space area be carried out before moving the appliance into the area to take into account access, sta-

bility of flooring, lighting and other factors, and appropriate measures taken.

Unpacking of appliance from carton.

Recommend 2 persons unpack appliance from carton. Always keep working area clear. Recommend cut base end of carton and open carton flaps, then tilt boiler forwards from its side onto its base and remove carton by sliding up over the boiler. Ensure safe lifting techniques are used - keep back straight - bend using legs. Keep load as close to body as possible. Always use assistance if required. Dispose of packaging in a responsible manner. Recommend wear suitable cut resistant gloves with good grip to protect against sharp edges and ensure good grip when handling appliance outside packaging.

Positioning of Appliance for Final Installation - no obstructions.

This appliance is deemed to be a one person lift when removed from the carton. Fit bracket securely onto wall before lifting appliance into position. Obtain firm grip on front and sides of appliance, lift upwards, ensure stable balance achieved and lift upwards to position in place on bracket. Ensure safe lifting techniques are used - keep back straight - bend using legs - when lifting load from floor level. Do not twist - reposition feet instead. Keep boiler as close as possible to body throughout lift to minimise strain on back. Ensure co-ordinated movements to ensure equal spread of weight of load. Always use assistance if required. Recommend wear suitable cut resistant gloves with good grip to protect against sharp edges and ensure good grip when handling appliance.

Positioning of Appliance for Final Installation - above worktop, foreseeable obstructions etc.

This appliance is deemed to be a one person lift when removed from the carton. Fit bracket securely onto wall before lifting appliance into position. Obtain firm grip on front and sides of appliance, lift upwards, onto worktop if practicable. Ensure stable balance achieved and lift upwards to position in place on bracket. If 2 persons positioning onto bracket obtain firm grip at front and sides/base of boiler. Ensure coordinated movements during 2 person lifts to ensure equal spread of weight of load. Ensure safe lifting techniques are used - keep back straight - bend using legs - when lifting load from floor level. Do not twist - reposition feet instead. Keep boiler as close as possible to body throughout lift to minimise strain on back. Avoid upper body/top heavy bending - do not lean forward/sideways. Always use assistance if required. Recommend wear suitable cut resistant gloves with good grip to protect against sharp edges and ensure good grip when handling appliance.

Positioning of Appliance for Final Installation - within compartment etc. restricting installation.

This appliance is deemed to be a one person lift when removed from the carton. Fit bracket securely onto wall before lifting appliance into position. Obtain firm grip on

4 Boiler installation sequence

front and sides of appliance, lift upwards, onto worktop if practicable. Ensure stable balance achieved and lift upwards to drop into place onto bracket. If 2 persons positioning onto bracket obtain firm grip at front and sides/base of boiler. Ensure coordinated movements during 2 person lifts to ensure equal spread of weight of load. If 1 person positioning onto bracket recommend obtain firm grip supporting base of boiler. Ensure safe lifting techniques are used - keep back straight - bend using legs - when lifting load from floor level. Do not twist - reposition feet instead. Keep boiler as close as possible to body throughout lift to minimise strain on back. Always use assistance if required. Recommend wear suitable cut resistant gloves with good grip to protect against sharp edges and ensure good grip when handling appliance.

Positioning of Appliance for Final Installation - in roof space restricting installation.

This appliance is deemed to be a one person lift when removed from the carton. Obtain firm grip on front and sides of appliance, lift upwards, ensure stable balance achieved and lift upwards to drop into place onto bracket. If 2 persons positioning onto bracket obtain firm grip at front and sides/base of boiler. Ensure co-ordinated movements during 2 person lifts to ensure equal spread of weight of load. If 1 person positioning onto bracket recommend obtain firm grip supporting base of boiler. Ensure safe lifting techniques are used - keep back straight - bend using legs - when lifting load from floor level. Do not twist - reposition feet instead. Keep boiler as close as possible to body throughout lift to minimise strain on back. Always use assistance if required. Recommend wear suitable cut resistant gloves with good grip to protect against sharp edges and ensure good grip when handling appliance. It is recommended a risk assessment of the roof space area be carried out before moving the appliance into the area to take into account access, stability of flooring, lighting and other factors, and appropriate measures taken.

4.2 Required minimum distances/assembly clearances

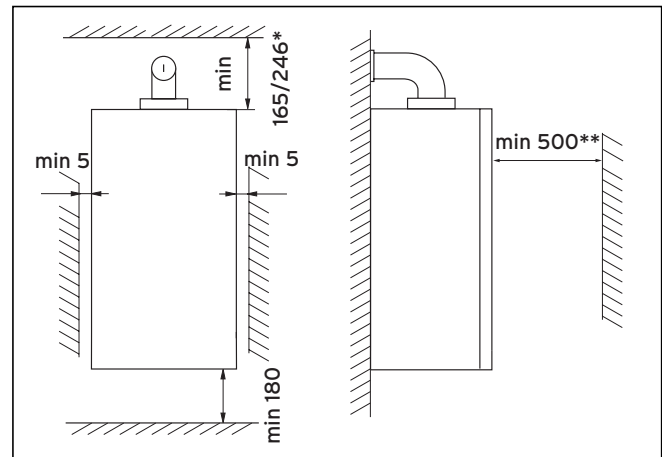


Fig. 4.1 Distances during installation (dimensions in mm)

The boiler should be mounted on a flat and vertical area of wall of sufficient area for the boiler plus the required clearances for installation and servicing (fig. 4.1). These are shown on the installation template supplied with the boiler and are:

- 5 mm either side of the boiler
- 180 mm below the boiler
- 165 mm* above the boiler when utilising the 100 mm outside diameter flue
- 246 mm* above the boiler when utilising the 125 mm outside diameter flue
- 500 mm in front of the boiler to enable easy access for servicing (may be provided by an opening door)



Note

If the boiler is to be fitted in a timber framed building, it should be fitted in accordance with British Gas publication DM2 'Guide for gas installations in timber framed housing'.

4.2.1 Select position for boiler

Refer to section 3.4 'Installation site' for information regarding the appliance location. In general the boiler must be positioned such that:

- There is adequate space around the boiler for service and maintenance
- The boiler can be correctly flued, i.e. the flue terminal position is located in accordance with these instructions and the air/flue duct can be installed in accordance with the flue installation instructions supplied.
- All necessary pipework can be connected, including the pressure relief valve and condensate drain.

4.2.2 Unpack the boiler

To unpack the boiler, cut both plastic carton straps, open box and lift out the polystyrene top packing. Lift the cardboard box upwards.

Note
 Care should be taken not to scratch the white surface of the boiler casing.

4.2.3 Using boiler template

- Fix the paper template to the wall ensure that the template is vertical.

The template shows:

- The position of the fixing holes for the boiler mounting bracket.
- The position of the connections.
- The position of the flue exit hole.

- Mark the position of the hanging bracket fixing holes.
- Drill 2 holes \varnothing 10 mm for the hanging bracket.

Note
 Use alternative fixing holes where necessary.

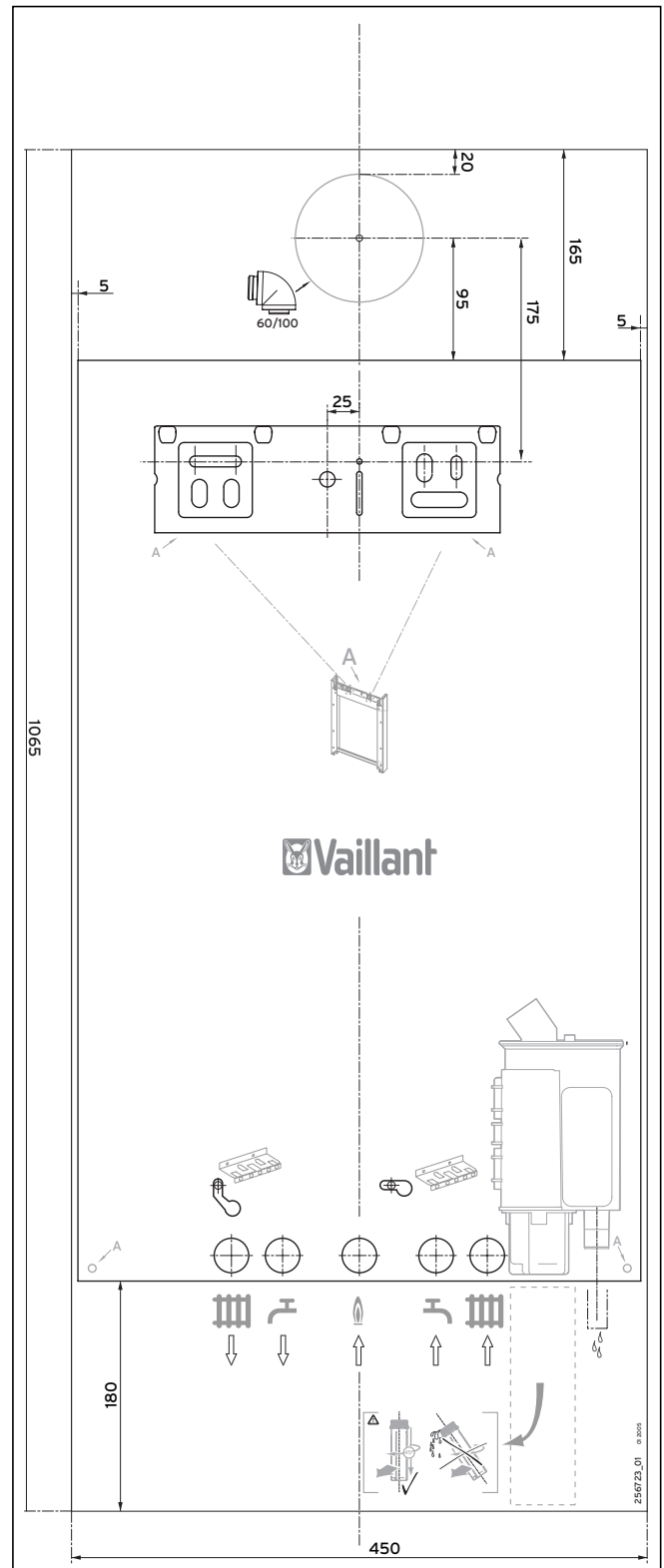


Fig. 4.2 Assembly template

4 Boiler installation sequence

4.3 Flue exit

- If using rear flue mark the position of the air/flue duct and its circumference.

Other flue options

Flue instructions for other flue systems such as vertical RSF flues, flues run to the side of the boiler and the use of additional bends etc. are detailed in the flue installation instructions provided with the boiler.

- Remove the template from the wall and plug the drilled holes using the wallplugs supplied.

4.4 Fitting the boiler hanging bracket

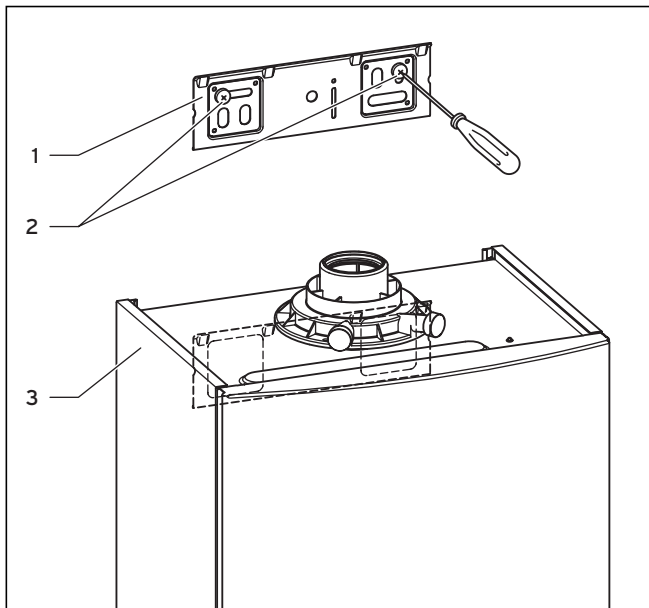


Fig. 4.3 Appliance with hanging bracket

- Fix the hanging bracket to the wall using the plugs and screws provided with the appliance.

Note
Use alternative fixing holes where necessary.

Note
If the boiler is to be fitted in a timber framed building ensure that the bracket is secured to a substantial part of the timber frame capable of taking the weight of the boiler.

4.5 Installing the flue system

- Install the flue system (refer to the separate air/flue duct installation instructions).

4.6 Fitting the boiler

- Lift the boiler (3) up to the wall so that it is slightly above the hanging bracket (1).

Note
Lift the boiler from either side at the bottom edge

- Lower the boiler slowly onto the hanging bracket so that the cross member at the rear of the boiler fully engages onto the hanging bracket.

4.7 Removing the front case

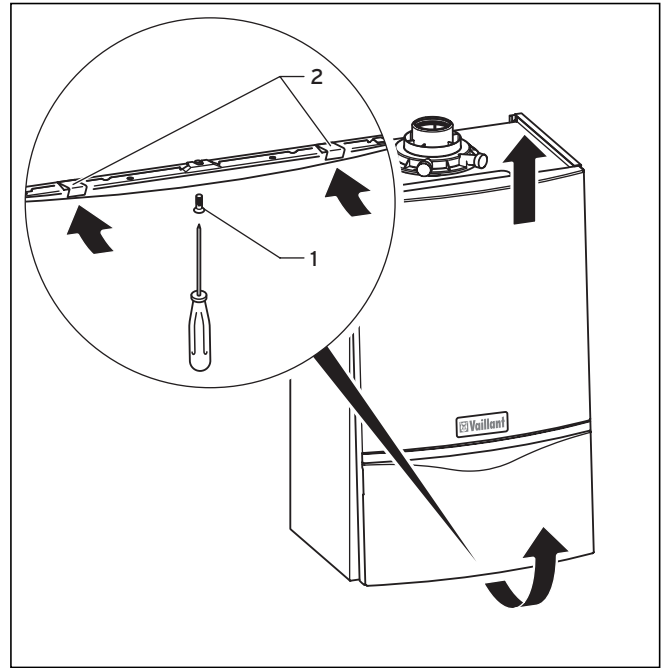


Fig. 4.4 Removing/fixing the front case

To remove the front section of the case, proceed as follows:

- Loosen the screw (1) on the bottom of the unit.
- Push in the two retaining clips (2) on the bottom of the appliance until the case is released.
- Grasp the front case by its bottom edge, pull it towards the front and remove it by lifting it off the unit.

4.8 General instructions for heating system



Caution!
Thoroughly cleanse the heating system before connecting the appliance!
By doing that, residue such as welds, cinder, hemp, putty, rust, rough dust and similar substances are removed from the pipes. Otherwise such substances can be deposited in the appliance and cause damage.

- The appliance is fitted with an expansion vessel (10 l/0.75 bar). Before assembling the appliance check if this volume is adequate. If not, an extra expansion vessel must be installed, see section 3.10.5.

4.9 Gas connection

Note
 With the spacer frame (Art. No 308 650), the pipes can be fitted vertically upwards behind the appliance. The distance of the appliance from the wall thus increases by 65 mm.

Danger!
 The gas connection may only be made by a competent person. The legal directives and the local regulations for gas supply companies must be observed.

Caution!
 Ensure a stress-relief assembly of the gas pipes to avoid leakages!

Caution!
 The gas regulating block may be tested for leakage only with a maximum pressure of 150 mbar! Higher testing pressures can damage the gas fitting.

Caution!
 When making final connection to the boiler, if using soldered fittings, extra care should be taken to avoid damage to isolation valves through heat transfer.

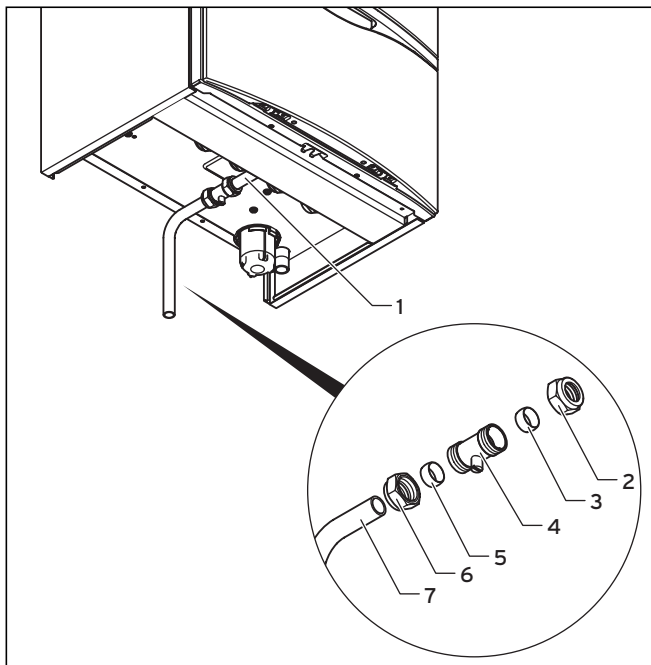


Fig. 4.5 Fitting the gas connection (example ecoTEC plus combination boiler)

- Fit the union nut (2) and the compression olive (3) to the gas connection pipe (1) of the boiler.

- Fit the union nut (6) and the compression olive (5) to the pre-formed tail provided with ecoTEC plus appliances (7).
- Fully insert the service valve (4) onto the gas connection pipe and the pre-formed tail into the service valve. Tighten both union nuts of the service valve.
- The diameter of the pipework (7) is 15 mm (22 mm for 37kW models). Connect a gas supply pipe of not less than 15 mm diameter to the copper tail.

Note
 Ensure the gas supply pipework is adequately sized so that a 20 mbar gas pressure is available at the boiler inlet at full flow rate.

- Tighten all connections.
- Check the gas connection with leak indicator spray for leakage.

4.10 Cold water mains inlet and hot water outlet (ecoTEC combination boilers only)

Caution!
 When making final connection to the boiler, if using soldered fittings, extra care should be taken to avoid damage to isolation valves through heat transfer.

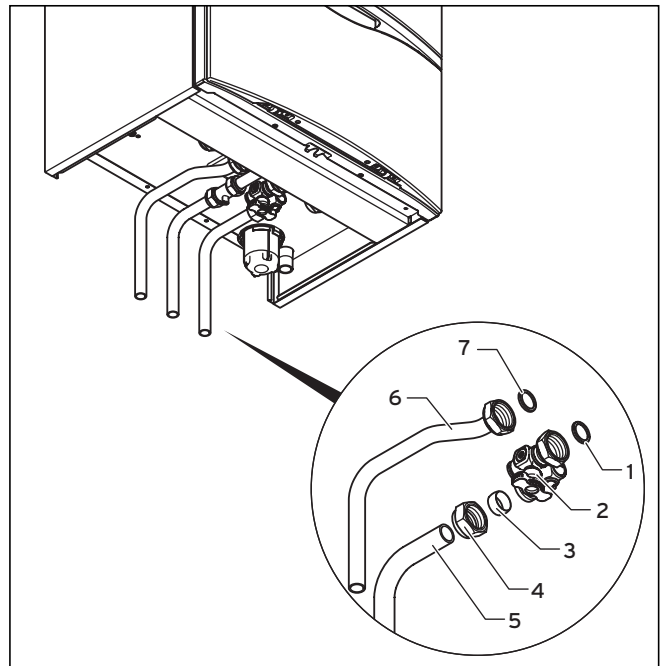


Fig. 4.6 Installing the hot and cold water connection (ecoTEC plus combination boiler)

4 Boiler installation sequence

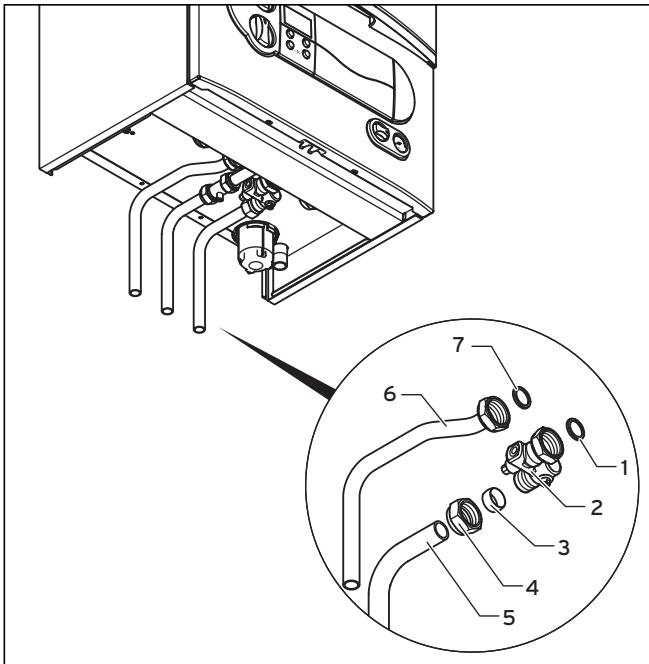


Fig. 4.7 Installing the hot and cold water connection (ecoTEC pro combination boiler)

Note
Flush all foreign matter from the mains supply before connecting to the boiler.

- Insert the seal (1) and connect the service valve (2) to the appliance cold water connection.
- Fit the union nut (4) and the compression olive (3) to the pre-formed tail provided with ecoTEC plus appliances (5). The diameter of the pipe is 15 mm.
- Fully insert the pre-formed tail into the service valve. Tighten the union nuts.
- Insert the seal (7) and connect in the pipe (6) to the appliance hot water connection. The diameter of the pipe is 15 mm.
- Mount the handle for the filling loop with a counter-sunk screw to the service valve (2).

4.11 Condensate drain pipe

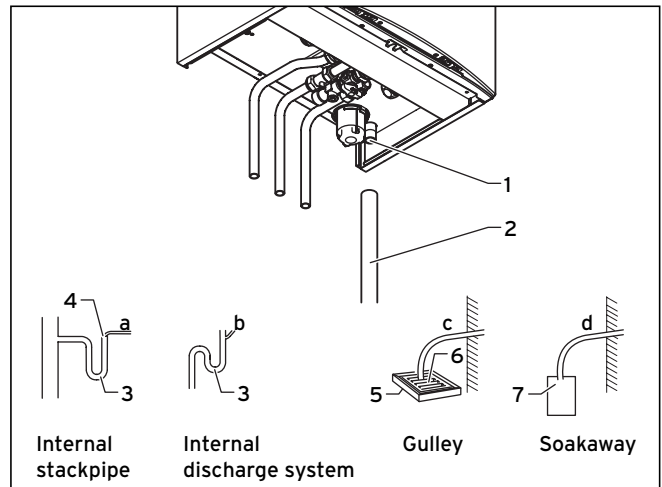


Fig. 4.8 Installing the condensate drain pipe (picture shows ecoTEC plus combination boiler)

The ecoTEC plus appliances are fitted with a siphonic trap (The filling height is 145 mm). The siphon collects the accumulated condensate in a container of approx. 200 ml capacity and directs the entire content into the drain pipe. The risk of the condensate drain pipe freezing is thus minimised.

The ecoTEC pro appliances are equipped with a normal condensing water trap where the condensate is constantly emptied into the drain pipe.

- Connect the boiler condensate drain (1) to a condensate discharge pipe (2) which should be minimum of 19 mm internal diameter (22 mm external diameter for any pipework installed external to the property) and be made of an acid resistant material (e.g. plastic over-flow pipe).

Note
The discharge pipe from the boiler condensate drain must have a continuous fall (45 mm per meter) and preferably be installed and terminated within the building to prevent possible freezing.

The condensate discharge pipe must terminate in a suitable position, e.g.:

- preferably the discharge pipe should run and terminate internally to the house soil and vent stack (at least 450 mm above the invert of the stack). A trap giving a water seal of at least 75 mm (3) (built into the boiler) should be incorporated into the pipe run, and there must be an air break (4) in the discharge pipe upstream of the trap. The connection to the stack should not be made in a way that could cause cross flow into any other branch pipe, or from that branch pipe into the condensate drainpipe. This can be achieved by maintaining an offset between branch pipes of at least 110 mm on a 100 mm diameter stack and 250 mm on a 150 mm diameter stack.

- b) connecting into the internal discharge branch (e.g. sink waste or washing machine) with an external termination, the condensate discharge pipe should have a minimum diameter of 22 mm with no length restriction and should incorporate a trap with a 75 mm (3) (built into the boiler) seal. The connection should preferably be made down stream of the sink waste trap. If the connection is only possible upstream, then an air break is needed between the two traps. This is normally provided by the sink waste.
- c) terminating in a gully (5) below grid level (6) and above the water level. The external pipe length should be kept as short as possible to minimise the risk of freezing and should not be more than 3m.
- d) at a condensate absorption point (soakaway) (7). The external pipe length should not be more than 3m.

Refer to 'BS 6798 Specification for installation of gas-fired boilers of rated input not exceeding 70 kW net' for further information. Before operating the boiler the condensate trap (1) must be filled with water as described in relevant section.

4.12 Heating connection

Caution! When making final connection to the boiler, if using soldered fittings, extra care should be taken to avoid damage to isolation valves through heat transfer.

4.12.1 Heating flow and return connection

Note Before connecting the heating circuit to the boiler, all pipework and radiators must be thoroughly flushed to remove any installation debris.

ecoTEC plus combination boiler

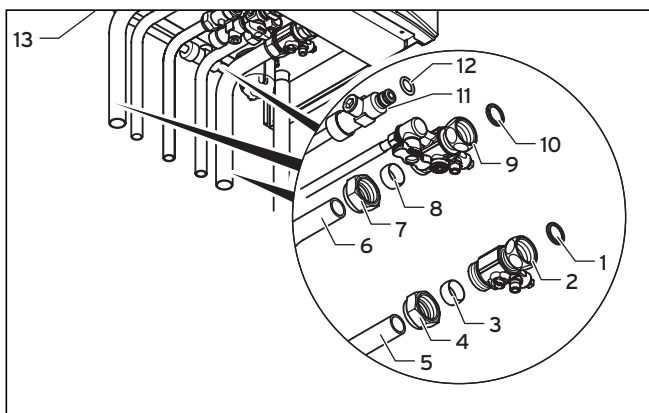


Fig. 4.9 Installing the heating flow and return connection for ecoTEC plus combination boiler

- Insert the seal (1) and fit the service valve (2) to the return connection of the appliance.
- Insert the seal (10) and fit the service valve (9) to the flow connection of the appliance.
- Install the O-ring seal (12) on the return valve (11).

Note Lay the filling loop hose (13) above the pipework elbows.

- Fit the union nuts (4) and (7) as well as the compression olives (3) and (8) to the pre-bended 22 mm copper tails (5) and (6).
- Fully insert pipes (5) and (6) into the service valves. Tighten the union nuts in this position.
- Fit the handle for the filling loop with a countersunk screw to the service valve (9).

ecoTEC pro combination boiler

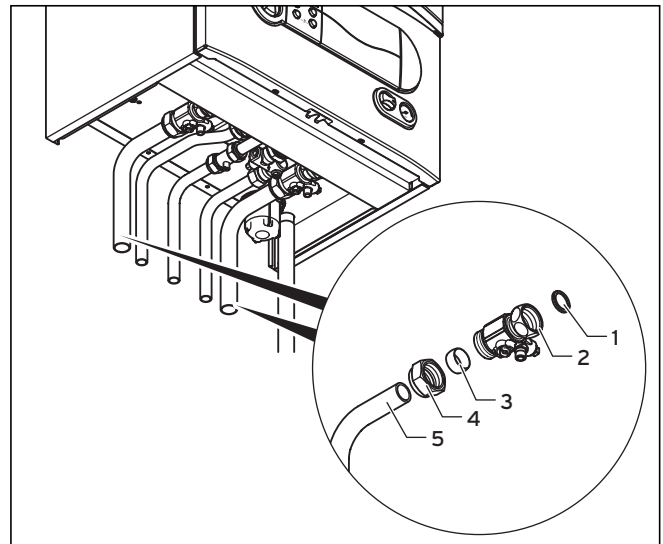


Fig. 4.10 Heating flow and return connection for ecoTEC pro combination boiler

- Insert a seal (1) and fit the service valves (2) to the flow and return connection of the appliance.
- Fit a union nut (4) and a compression olive (3) to the 22mm pre-bended copper tail (5).
- Fully insert pipe (5) into the service valve. Tighten the union nuts in this position.

4 Boiler installation sequence

ecoTEC plus system boiler

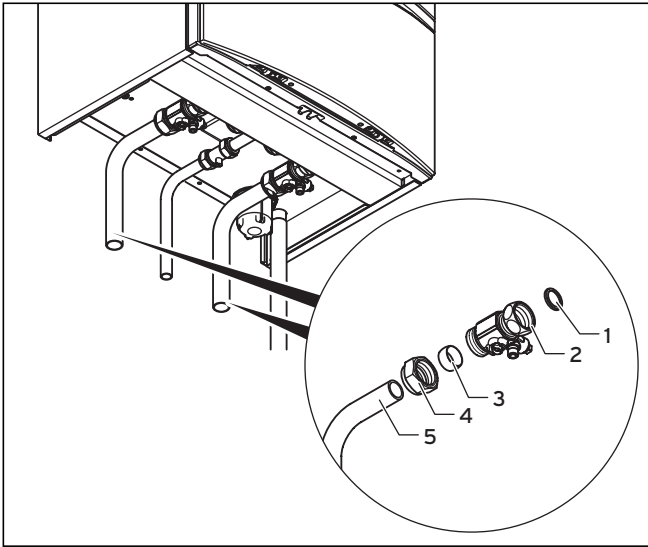


Fig. 4.11 Heating-side flow and return connection for ecoTEC plus system boiler

- Insert a seal (1) and fit the service valves (2) to the flow and return connection of the appliance.
- Fit a union nut (4) and a compression olive (3) to the 22mm pre-bended copper tail (5).
- Fully insert pipe (5) into the service valve. Tighten the union nuts in this position.

4.12.2 Pressure Relief Valve

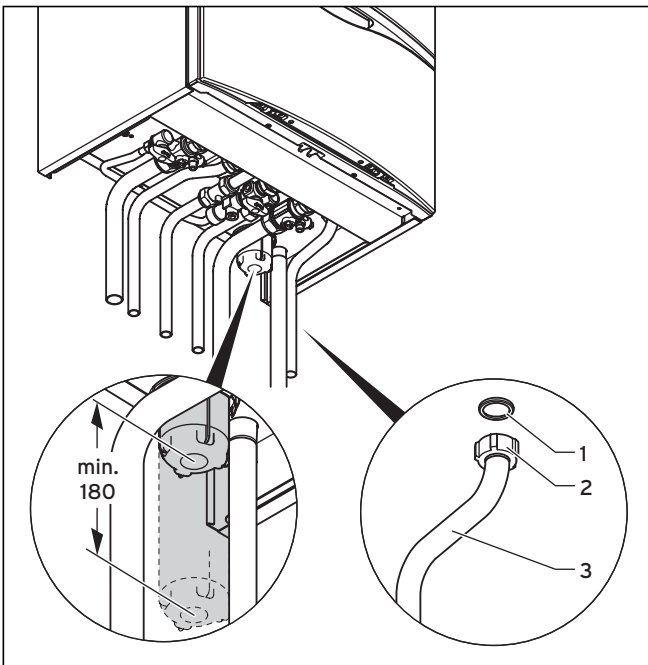


Fig. 4.12 Installing the drain pipe on the pressure release valve of the heating system (picture shows ecoTEC plus combination boiler)



Caution!

To ensure fumes do not escape through the syphon of the boiler the trap must be filled with water before the boiler is turned on. Therefore the discharge pipework should be installed so as not to interfere with the removal and refitting of the condensate trap, we recommend the outlet pressure release valve pipe supplied is not shortened.

You must leave a bottom clearance of at least 180mm below the condensate trap for removal and refitting.

The pressure release valve for the heating system is integrated in the appliance.

- Position the seal (1) and screw the drain pipe (2) on to the pressure release valve.

The discharge pipework should be as short as possible and installed with a continuous fall away from the boiler. The pipe should terminate in a position which ensures that any discharge of water or steam from the valve cannot create a hazard to persons in or around the premises, or cause damage to any electrical components or external wiring, and the point of discharge should be clearly visible.

4.13 Connecting the flue system to the boiler

- Refer to separate air/flue duct installation instructions included with the boiler.

4.14 Electrical connection

4.14.1 General requirements



Danger!

Electrocution caused by touching live parts can be fatal.

Before working on the appliance, turn off the power supply and secure against restart.

All electrical work shall be carried out by a competent person and shall comply with BS 7671 (IEE Regulations). In the Republic of Ireland, reference should be made to the current edition of the ETCI (Electro-Technical Council for Ireland) rules. The boiler is supplied for connection to 230 V, ~ 50 Hz supply fused at 3 A rating. Connection to the mains supply shall be made via a fused 3 pin plug to an unswitched shuttered socket, both complying with the requirements of BS 1363.

(Alternatively, connection may be made via a 3 A fused double pole isolator having a contact separation of at least 3 mm in all poles and supplying the boiler and controls only). The point of connection to the mains supply must allow complete electrical isolation of the boiler and its ancillary controls. It should be readily accessible and adjacent to the boiler. A 3 core flexible cord according to BS 6500 tables 6, 8 or 16 (3 x 0.75 to 3 x 1.5 mm²) should be used.

Danger!
This appliance must be earthed.

Danger!
Mains connection terminals L and N remain live even when the boiler on/off control is switched off.

Note
Do not connect any power voltage to the connections 7-8-9 or BUS (+,-).

Note
Ensure that all cords pass through the cable clamps in the rear of the control box and are securely fixed. Ensure that the power supply is connected such that the current carrying conductors become taut before the earth conductor should the supply cord slip from the cable clamp.

4.14.2 Connection to the main supply

- Remove the front case and lower the control panel.

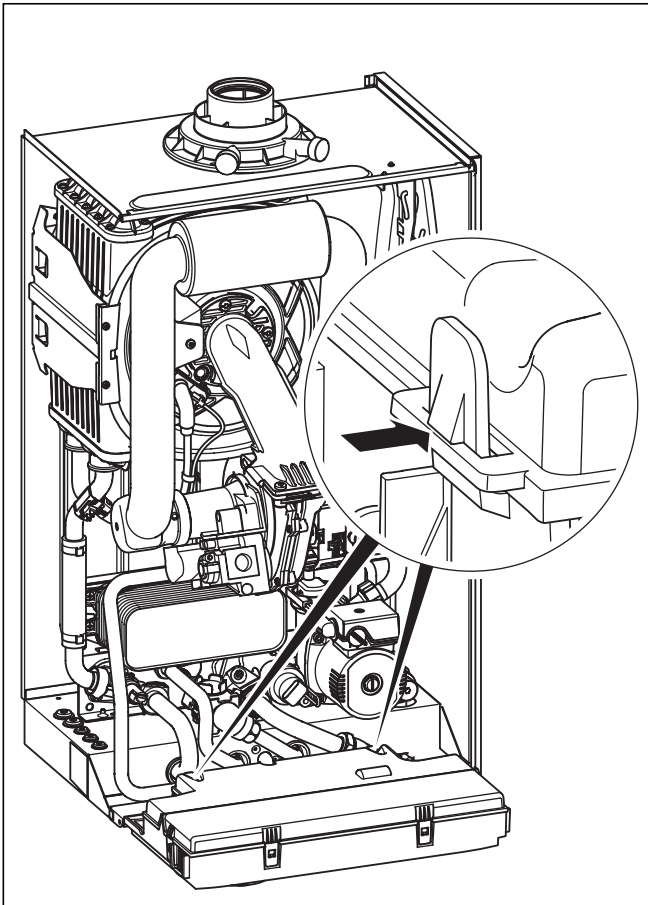


Fig. 4.13 Opening the electronics box

- Unclip the bottom of the terminal box cover and hinge back to reveal the connection plugs.

- Feed the power supply flex into the appliance and the control panel through the cable clamps provided and tighten.

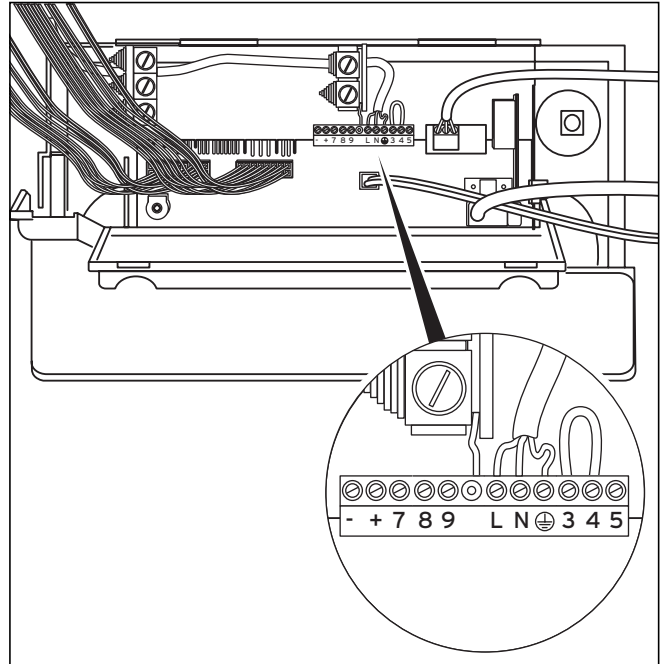


Fig. 4.14 Wiring system

- Connect the flex to the L, N and earth plug to the terminal block.

Green/yellow (earth) wire - boiler terminal Earth sign
Blue (neutral) wire - boiler terminal N
Brown (live) wire - boiler terminal L

Note
Do not connect any power voltage to the connections 7-8-9 or BUS (+,-).

Note
Ensure that the wires are securely fixed in the terminal block.

- Refit the terminal box cover by pushing into place until it clips back into position.
- Raise the control panel.

4 Boiler installation sequence

4.14.3 Electric board layout

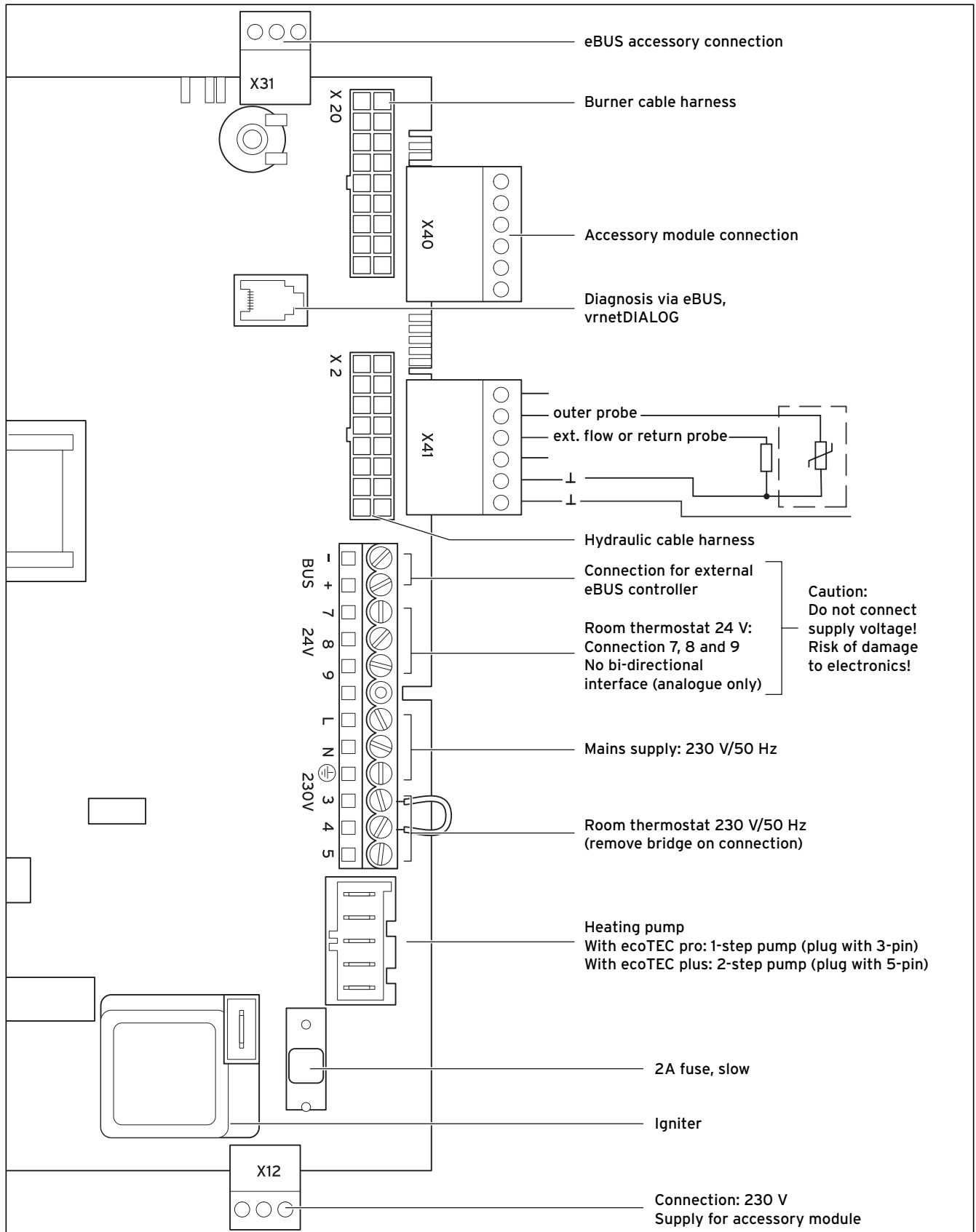


Fig. 4.15 Connection wiring ecoTEC

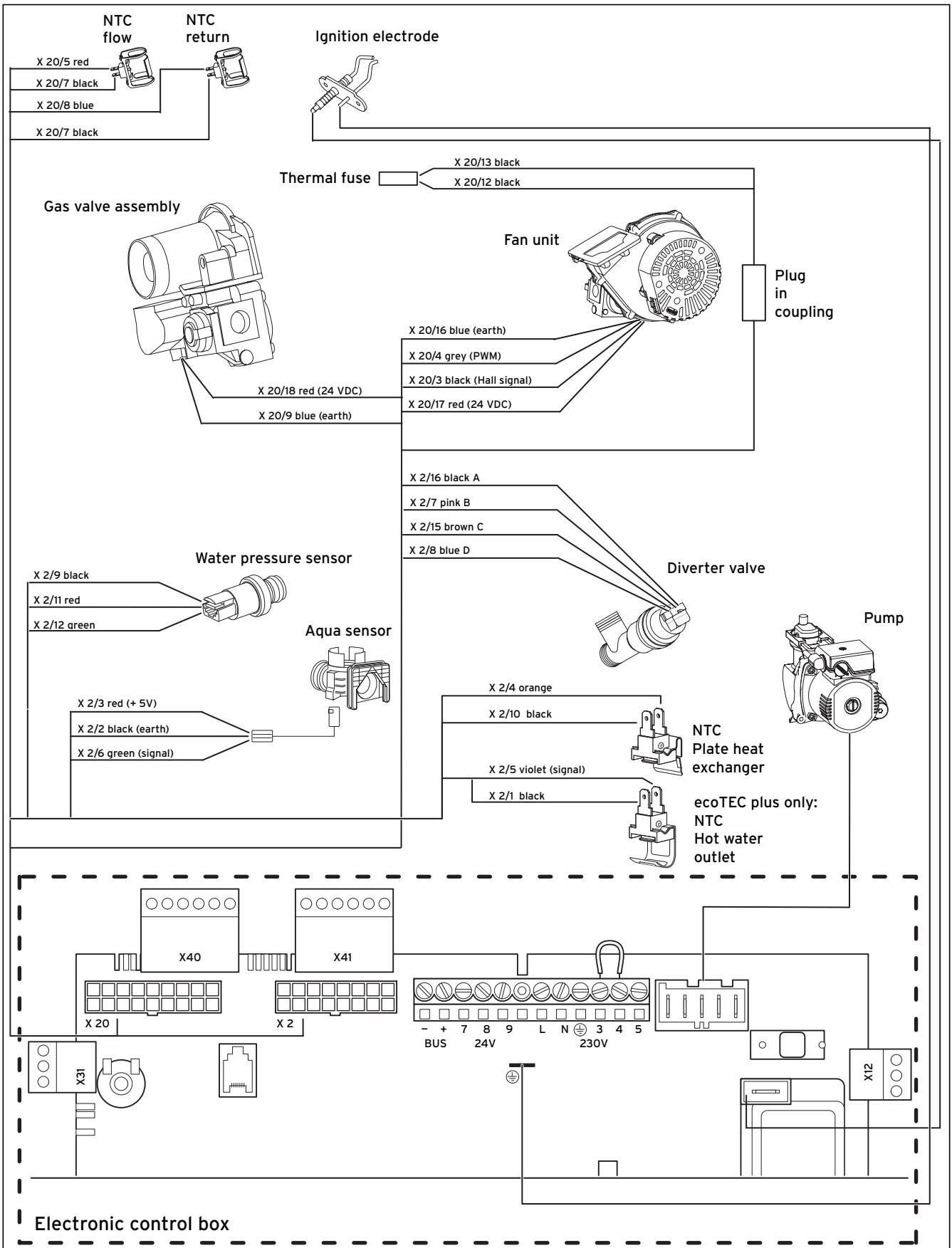


Fig. 4.16 Connection wiring ecoTEC combination boiler

4 Boiler installation sequence

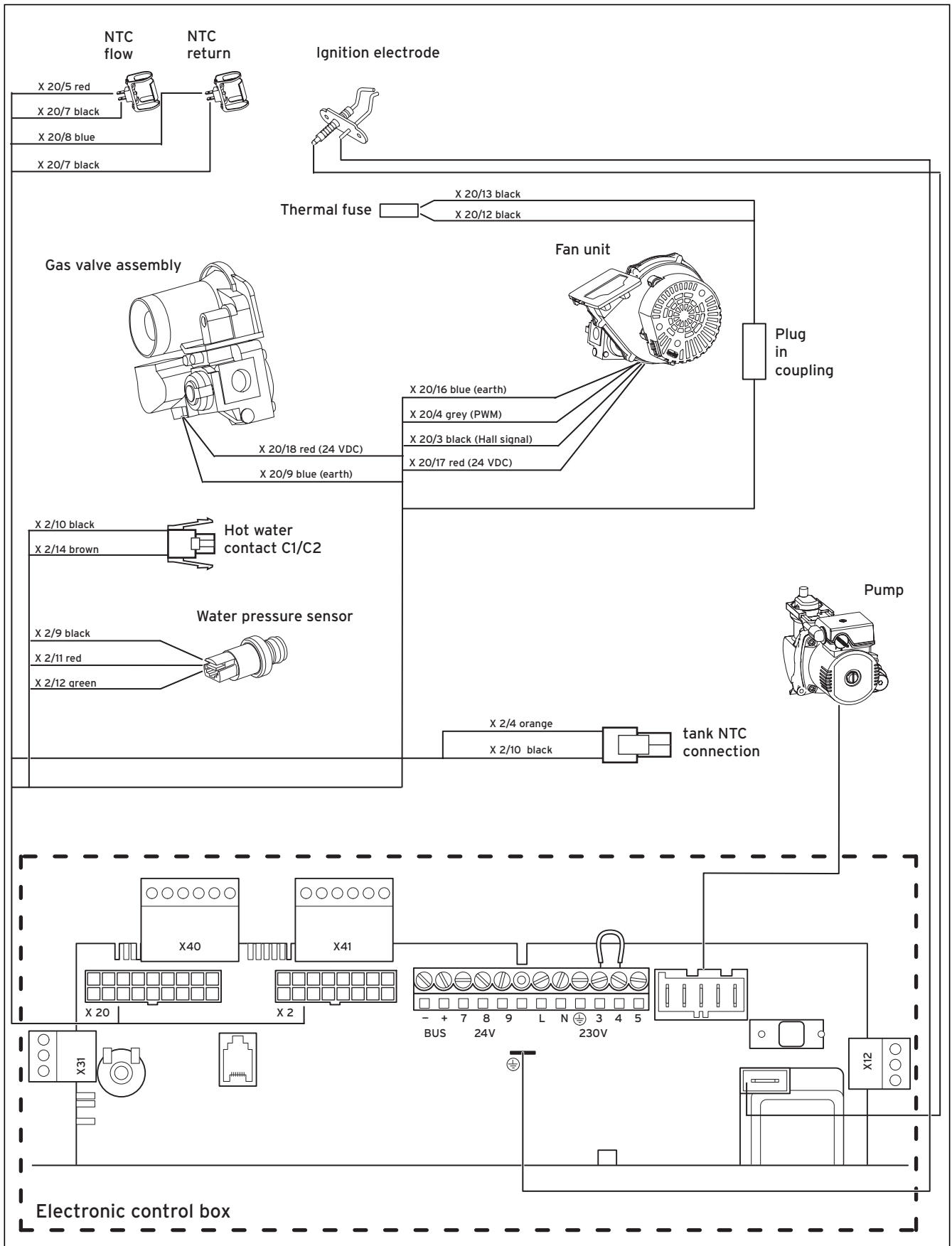


Fig. 4.17 Connection wiring ecoTEC system boiler

4.15 Controls

4.15.1 Vaillant controls and accessories

Controller	Item no.	Connection
VRC 400 (1-circuit controller, weather-controlled)	00 2001 0843	Installation in electronics box (plug-and-play)
VRT 360 (room temperature controller)	00 2001 0842	Wall-mounted, 2-wire bus
Available from 10-01-2006 VRT 360f (room temperature controller)	00 2001 8258	Wireless controller, receiver wall-mounted
VRT 230 (room temperature controller)	00 2001 0841	Wall-mounted, 3-wire connection to terminals 3-4-5
timeSWITCH 140 (timer)	306 760	Installation in electronics box (plug-and-play)
timeSWITCH 130 (timer)	306 759	Installation in electronics box (plug-and-play)
VRT 30 (room thermostat)	300 637	Wall-mounted, 3-wire connection to terminals 3-4-5
VRT 50 (room thermostat)	00 2001 8265	Wall-mounted, 2-wire bus
Telecommunication	Item no.	Connection
vrnetDIALOG 830 (Int)	00 2000 3988	GSM/GPRS, installation in electronics box (plug-and-play)
vrnetDIALOG 860/2 (Int)	00 2000 3984	Wall-mounted, GSM/GPRS, up to 16 appliances
Accessories	Item no.	Connection
VR 65 control centre for UK cylinder installation (eBUS)	307 215	System solution for UK cylinder connection
vrDIALOG 810/2	00 2002 3370	Diagnostic software

Table 4.1 Vaillant controls and accessories

4.15.2 External electrical controls

The boiler terminals 3, 4 and 5 are for connecting external electrical controls such as a time switch and/or room thermostat. Terminals 3 and 4 are linked together when the boiler is supplied. If external controls are used, this link must be removed, and the controls connected across terminals 3 and 4. Terminal 5 is an additional neutral connection for external neutrals such as from the anticipator of a room thermostat.

4.15.3 Connection details for external time switches and boiler terminal strip

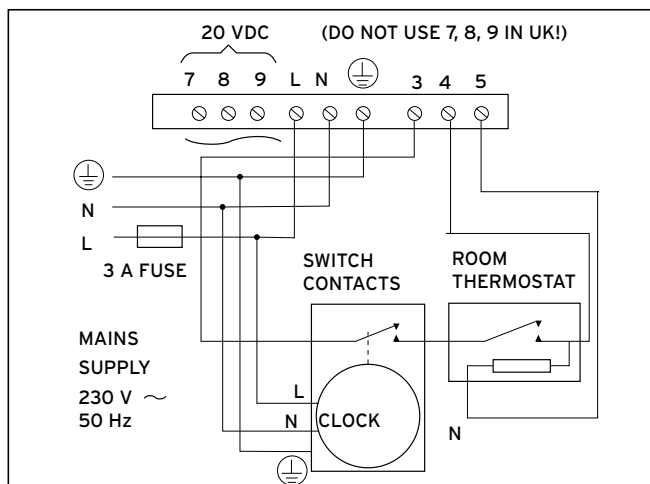


Fig. 4.18 Connection details for time switches

If a room thermostat is to be connected in addition to a time switch the wire between the time switch "ON" terminal and boiler terminal 4 should be broken by the contacts of the room thermostat (see schematic layout, fig. 4.18).

4.15.4 Vaillant optional plug in timer accessories

Refer to the instructions supplied with the optional accessories for connection details. Upon completion of all electrical connections refit the terminal box cover by pushing into place. The cover is secured by two locking clips.

4.15.5 Connection details using the VR 65 Control Center

The Control Center VR 65 is an eBUS system component.

In a storage unit installation, it is responsible for the communication between the storage unit, the ecoTEC plus system boilers and external 2- or 3-way-valves. Connect the VR 65 Control Center as described in the enclosed manual.

4.16 Thermostatic radiator valves

The boiler has a built in automatic by-pass valve making it ideal for use in systems with thermostatic radiator valves (no separate system by-pass is required). For optimum fuel economy where TRV's are used they must be used in conjunction with a boiler control interlock. A programmable room thermostat or separate timer and room thermostat will ensure complete boiler shut down when the heating demand is satisfied. (The radiator in

4 Boiler installation sequence

5 Commissioning Part I

the room containing the room thermostat should not be fitted with a TRV).

4.17 Frost protection

The boiler has an integral frost thermostat which is designed for protection of the boiler. To protect remote or exposed parts of the heating system or property additional frost protection measures must be taken such as the installation of an external frost thermostat. This frost thermostat should be connected across the boiler terminals 3 and 4, in parallel with any external heating controls.



Note

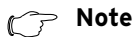
External frost protection cannot be used when plug in timers are utilised.

4.18 Circulating pump

The boiler incorporates a built in circulating pump that is fully prewired (no additional wiring is necessary). The pump incorporates an automatic overrun period after the boiler switches off.

4.19 Anticycling 'economiser' control

The boiler incorporates a built in anticycling control to ensure that energy wasteful short cycling of the boiler cannot occur. This control prevents the boiler from re-igniting for a preset period after central heating operation (the hot water operation is unaffected by this control and hot water can be drawn at any time).



Note

To temporarily override the anticycling control turn the main boiler on/off switch to the off position "O" and then back to the on position "I" after a few seconds.

4.20 Automatic pump spin control (APS)

The boiler incorporates a built in control which will spin the built in circulating pump and operate the diverter valve (ecoTEC combination boilers only) once in a 23 hour period. This control helps to prevent seizure when the boiler is not operated for a period of time. This control is not active when the power supply to the appliance is turned off.

5 Commissioning Part I

5.1 Preliminary electrical checks

Check the electrical installation by carrying out short circuit, earth continuity and resistance to earth tests and a check for correct polarity.

5.2 Gas supply

The complete gas installation including the gas meter must be inspected, checked for leaks and purged in accordance with BS 6891. In IE the current edition of IS 813. The gas supply to the boiler can be purged by slackening the gas service valve beneath the boiler. Ensure that there is adequate ventilation, extinguish all naked flames and do not smoke whilst purging. After purging, the gas service valve connection must be retightened and checked for leaks. (The boiler itself does not require purging as this will be done by the automatic burner sequence control).

5.3 Cold water supply (ecoTEC combination boilers only)

Open all domestic hot water taps supplied by the boiler, turn on the mains water supply to the boiler and open the mains water isolating valve below the boiler. Water will now flow through the boiler to the hot taps. Starting with the lowest tap supplied, turn the hot taps off one at a time until the hot water pipework is purged of air. Check all hot and cold water pipework for leaks.

5.4 Filling and bleeding the heating system



Note

The P.6 test program is for filling the heating system: The diverter valve (combination boilers only) moves to the centre position, the pump does not run and the appliance does not go into heating mode. Use the test program as described in Section 8.4.

The P.O test program is for bleeding the hot water circuit (as well as the DHW circuit on combination boilers): The appliance does not go into heating mode; the pump runs intermittently and bleeds the two circuits in succession. Use the test program as described in Section 8.4.

5.4.1 Checking the filling pressure of the heating system

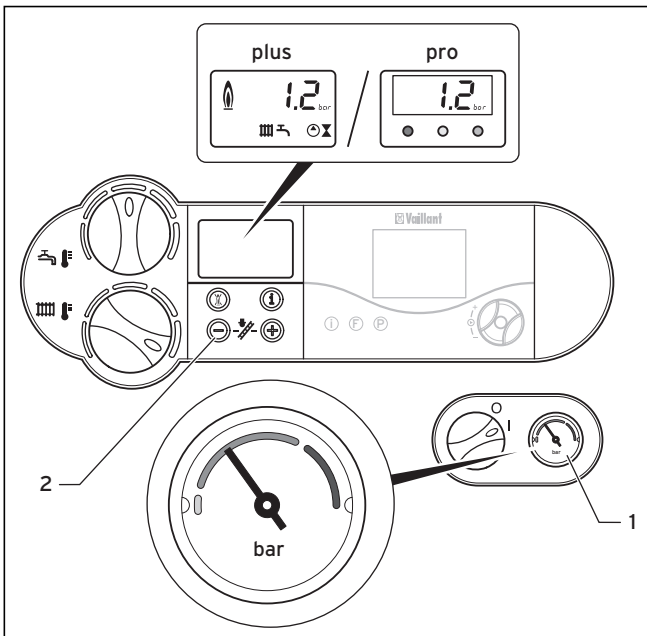


Fig. 5.1 Checking the filling pressure of the heating system

Note
 The ecoTEC appliances come with a manometer and a digital pressure indicator. The manometer allows you to quickly check whether the filling pressure is in target range or not even when the appliance is turned off. If the appliance is in operation, you can display the exact pressure by pressing the "-" (2).

For the heating system to operate properly, the indicator on the manometer (1) must be in the dark grey area when the system is cold. This corresponds to a filling pressure between 1.0 and 2.0 bar. If the pointer is in the light grey area, please refill water.

If the heating system extends over several storeys, the system may require a higher filling pressure.

5.4.2 ecoTEC plus combination boiler filling loop

The ecoTEC plus combination boiler will be delivered with a filling loop.

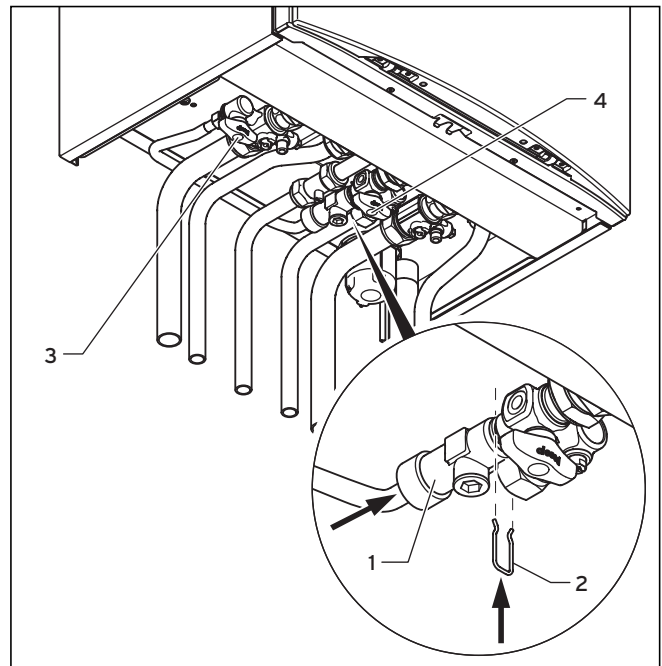


Fig. 5.2 Filling device ecoTEC plus combination boiler

- Insert the double check valve (1) of the filling pipe at the cold water shutoff valve and secure the double check valve with the spring clip (2).
- To fill, first open the stop valve (3).
- Open the stop valve (4), so that water flows into the heating system. Fill the heating system as described in Section 5.4.4.
- Close both stop valves after filling and detach the filling device by pulling the double check valve from the cold water stop valve.

Note
 Both stop valves must be closed while operating the heating system and the filling pipe must be again detached at the double check valve.

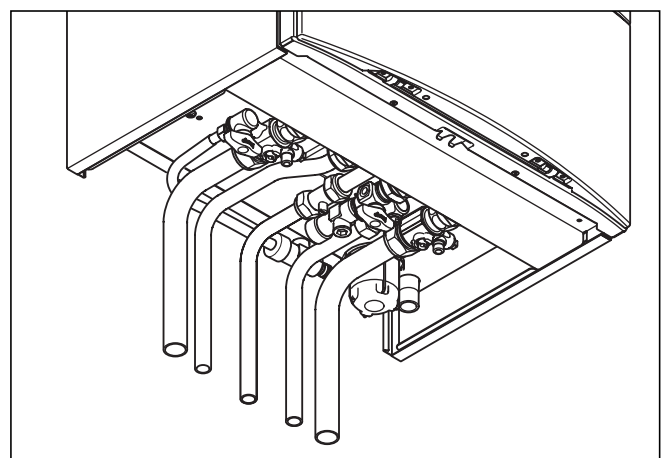


Fig. 5.3 Double check valve detached while heating

5 Commissioning Part I

5.4.3 Filling the heating system in ecoTEC pro combination boilers and ecoTEC plus system boilers

The ecoTEC pro combination boilers and the ecoTEC plus system boilers do not come with a filling device. In these appliances, water is filled in the heating system through a filling pipe provided onsite.

- Join a hose between a cold water dispensing valve and the filling pipe of the heating system.
- To fill, first open the cold water dispensing valve.
- Open the stop valve on the filling pipe, so that water flows into the heating system. Fill the heating system as described in Section 5.4.4.
- After filling, close the stop valve on the filling pipe and the cold water dispensing valve and remove the filling hose.

5.4.4 Filling the heating system for the first time

Note
As long as there is insufficient water pressure in the heating system, the display indicator changes between the error message F.22 and the actual pressure indicator when the appliance is on.

Fill the heating system as follows:

- Open all heating element thermostat valves.
- Check if both stop valves on the heater are open.
- Only in ecoTEC plus combination boilers: Connect the filling pipe as described in Section 5.4.2.
- Only in ecoTEC plus system boilers and in ecoTEC pro combination boilers: As described in Section 5.4.3 join a hose between the cold water dispensing valve and the filling pipe of the heating system.
- Open the cold water dispensing valve.
- Slowly open the filling valve and let the water flow into the heating system. Bleed the lowest radiator until the water flows out at the bleed valve without bubbles.
- Bleed all other radiators until the heating system is completely filled with water, all bleed valves have been shut and the manometer pointer is in the centre of the dark grey area. Bleed the heating pump by loosening the central screw. Close the filling valve and the cold water dispensing valve.
- Loosen the cap of the pump A.A.V. (automatic air vent) (the appliance is ventilated independently by the pump A.A.V. during continuous operation).
- Check all connections and the entire system for leaks.

5.5 Initial system flush ("cold")

Note
The complete heating system must be flushed out at least twice: once cold, and once hot as instructed below.

- Check if all radiator thermostatic valves and both service valves on the boiler are open.

- Connect a hose to the drain valve located at the lowest position of the heating system.
- Open the 1/2" BSP drain taps and all vent valves on the heating elements and allow the water to flow out of the heating system and the boiler quickly and completely to remove all installation residue from the heating system before commissioning the boiler.
- Close the 1/2" BSP drain taps.
- Fill the heating system again with water as described in Section 5.4.4.
- Check that the pressure relief valve of the heating system is working by turning the handle on the valve.
- Check the pressure in the heating system and fill water if needed.
- Close the filling valve and the cold water dispensing valve.

5.6 Filling the condensate siphon

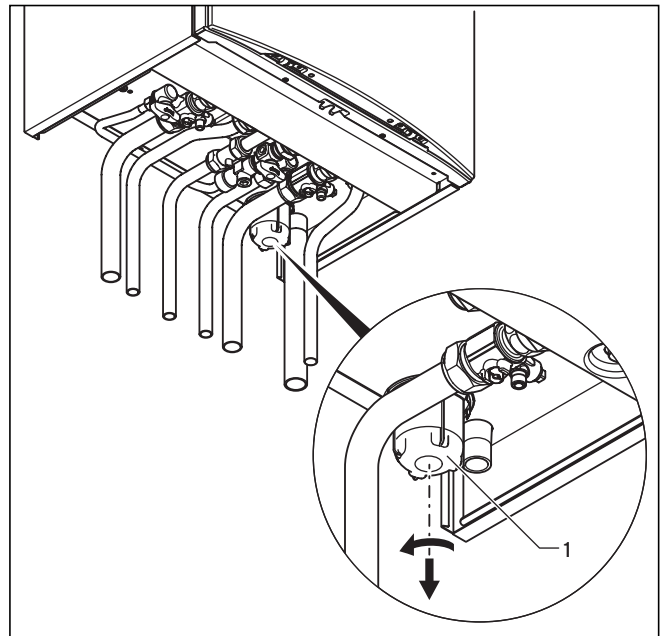


Fig. 5.4 Filling the condensate siphon



Danger!

Note that if the boiler is run with an empty condensate trap there is a danger that fumes might escape into the room and cause poisoning. For this reason, it is important to ensure that the trap is topped up each time the unit is cleaned.

- Remove the lower part (1) of the condensate siphon by turning the bayonet catch in anticlockwise direction.
- Fill the lower part with water until about 10 mm below the upper edge.
- Refit the lower part of the condensate siphon.

5.7 Adjusting the pumping capacity

Only in ecoTEC plus boilers:

The capacity of the two-stage pump can be adjusted to the requirements of the heating system. If needed, change the setting of the operating mode dependent pump speed under the diagnostic number "d.19" (see section 8.1.2).

5.8 Adjusting the by-pass

The appliances have an adjustable by-pass valve. The pressure can be adjusted between 170 and 350 mbar. Approx. 250 mbar is preset (mid-position). The pressure changes by approx. 10 mbar each time the adjusting screw is rotated. By turning right, the pressure increases and turning left decreases it.

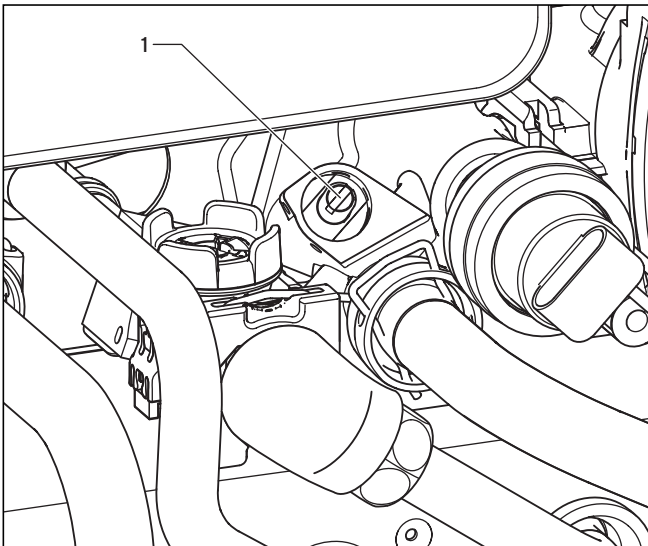


Fig. 5.11 Adjusting the by-pass valve (in combination boilers)

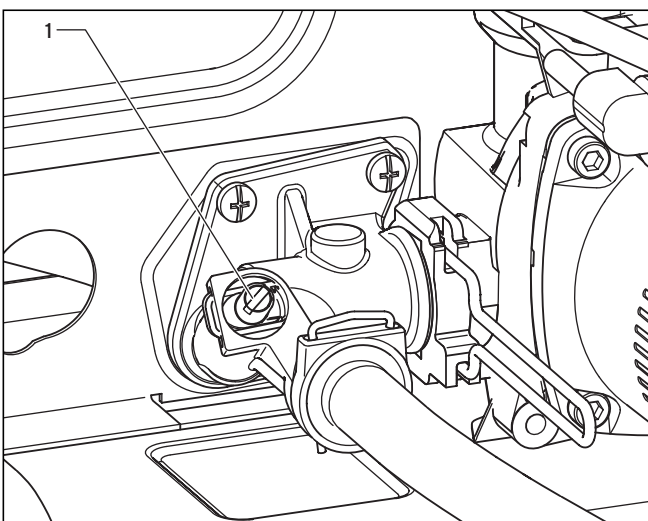


Fig. 5.12 Adjusting the by-pass valve (in system boilers)

- Regulating the by-pass on the adjusting screw (1).

5.9 Checking the gas supply

5.9.1 Factory settings

Caution! Before operating the boiler check the data badge and ensure that the correct gas type appliance has been installed.

The boiler is supplied ready adjusted and no further gas adjustments are necessary, however both the gas inlet working pressures and maximum gas rates should be checked as detailed in 5.9.2 and 5.9.3.

5.9.2 Gas inlet working pressure

Check the inlet pressure as described below:

- Remove the front case from the boiler.
- Close the gas shutoff valve fitted to the boiler.

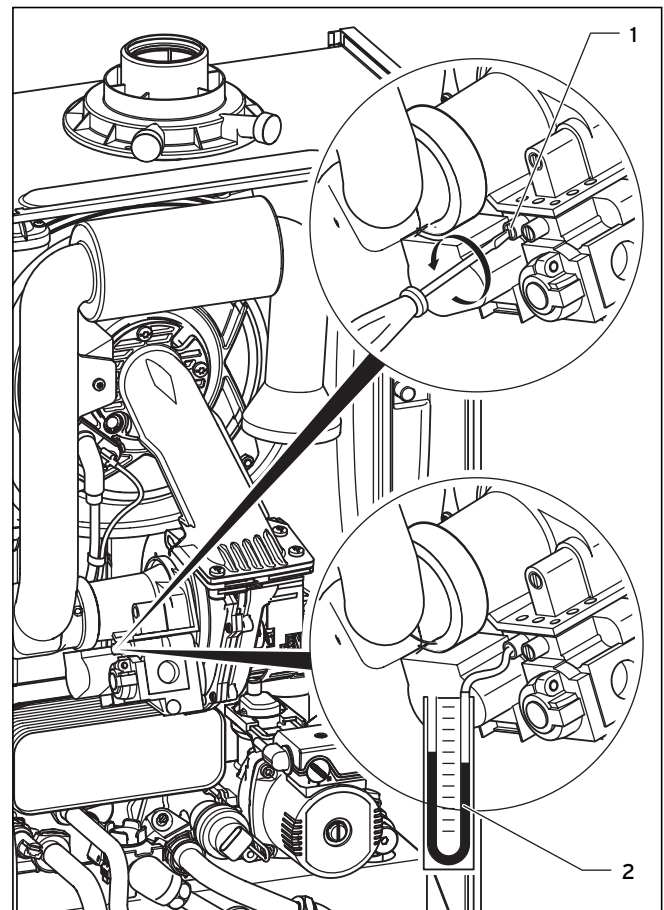


Fig. 5.13 Checking the gas supply pressure

- Loosen the sealing screw marked "in" (1) on the gas valve assembly.
- Connect a digital or a U gauge (2).
- Open the gas shutoff valve fitted to the boiler.
- Put the boiler into operation (refer to the Instructions for Use supplied with the boiler).
- Check the U gauge reading and ensure the inlet gas pressure is between the pressures detailed below.

5 Commissioning Part I

⚠ Natural gas:
DO NOT proceed with adjustment or attempt to put the unit into service if the inlet working pressure lies outside the 17-25 mbar range.

⚠ LPG:
DO NOT proceed with adjustment or attempt to put the unit into service if the inlet working pressure is lower than 37 mbar.

- Turn off the appliance, remove U gauge.
- Tighten the test point screw and check for leaks.
- Record appliance working gas inlet pressure (mbar) in the Benchmark gas boiler commissioning checklist.

5.9.3 Checking the gas rate

The boiler is fitted with a fully modulating automatic gas valve which ensures that the precise air/gas ratio is provided under all operating conditions.

The gas rate has been set during production and does not require adjustment.

The gas rate of the boiler should be checked with the front case fitted as follows:

- Activate full gas rate mode by simultaneously pressing the “+” and “-” buttons on the display system (for ecoTEC combination boilers fully open the hot water tap to maximum water flow rate).
- Wait at least 5 minutes, or until the boiler has reached its operating temperature.
- With all other gas appliances turned off measure the gas rate at the gas meter. Check that the gas rate is as stated in Table 5.1.

⚠ Caution!
If the measured gas flow volume lies outside the tolerance limits specified in Table 5.1, do not operate the appliance and inform the Vaillant Customer Service.

5.10 Refitting the case

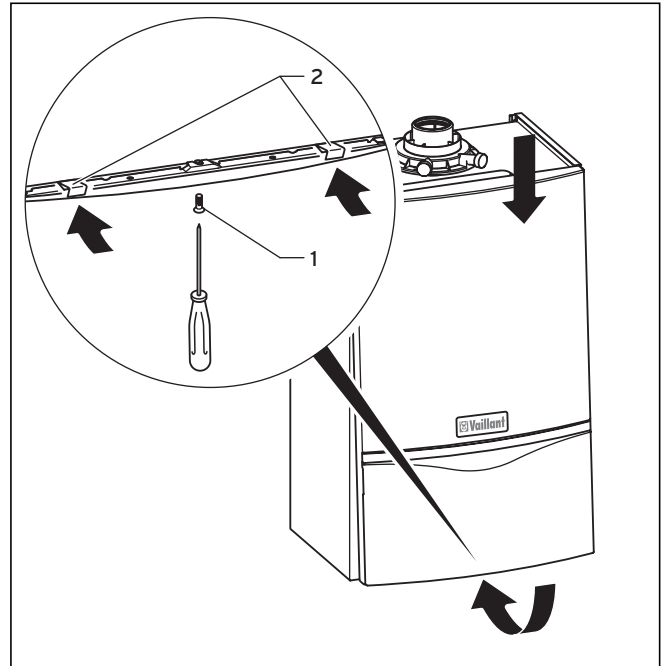


Fig. 5.14 Refitting the case

- Hook the top of the front casing over the lip on the top of the boiler chassis and push the bottom of the front casing into place.
- Ensure the spring retaining clips (2) engage correctly.
- Tighten case securing screw (1).

Appliance	Maximum net heat input in kW	Gas rate					
		Natural gas in m ³ /h			Propane in kg/h		
		nominal	+ 5%	- 10%	nominal	+ 5%	- 10%
ecoTEC plus 612	12.2	1.29	1.36	1.16	0.95	1.00	0.85
ecoTEC plus 615	15.3	1.62	1.70	1.46	1.19	1.25	1.07
ecoTEC plus 618	18.4	1.95	2.04	1.75	1.43	1.50	1.29
ecoTEC plus 624	24.5	2.59	2.72	2.33	1.90	2.00	1.71
ecoTEC plus 630	30.6	3.24	3.40	2.91	2.38	2.50	2.14
ecoTEC plus 637	37.8	4.00	4.20	3.60	2.94	3.08	2.64
ecoTEC plus 824	23.5	2.49	2.61	2.24	1.83	1.92	1.64
ecoTEC plus 831	31.6	3.34	3.51	3.01	2.45	2.58	2.21
ecoTEC plus 837	37.8	4.00	4.20	3.60	2.94	3.08	2.64
ecoTEC pro 24	23.5	2.49	2.61	2.24	1.83	1.92	1.64
ecoTEC pro 28	28.6	3.03	3.18	2.72	2.22	2.33	2.00

Table 5.1 Gas rates

5.11 Adjusting the central heating output (range rating)

The boilers are fully modulating for central heating, and it is therefore not necessary to range rate the boiler. However, if desired, it is possible to range rate the boiler, as follows:

- Press the "i" and "+" buttons simultaneously.
- Keep the "+" button pressed until "d.0" is displayed.

Note
The display runs from "d.0" to "d.99" before restarting at "d.0".

- Press the "i" button. The "=" symbol is displayed. The part load setting is now displayed in kW.
- Use the "+" and "-" buttons to increase or decrease the value in steps of 1 kW. The displayed value will flash while the adjustment procedure is being carried out. The available ranges of settings are given in Table 5.2.
- Push the "i" button for about five seconds, or until the display stops flashing. The value is now saved to memory. The display will now return to its normal state (current heating system flow temperature, e.g. 45 °C).
- Press the "i" and "+" buttons simultaneously to cancel adjustment mode.
Adjustment mode is also cancelled if no button is operated for a period of 4 minutes.

Appliance	Heating output in kW
ecoTEC plus 612	5 - 12
ecoTEC plus 615	5 - 15
ecoTEC plus 618	7 - 18
ecoTEC plus 624	9 - 24
ecoTEC plus 630	10 - 30
ecoTEC plus 637	12 - 37
ecoTEC plus 824	7 - 19
ecoTEC plus 831	9 - 24
ecoTEC plus 837	12 - 28
ecoTEC pro 24	7 - 19
ecoTEC pro 28	9 - 24

Table 5.2 Heating system part load adjustment ranges

5.12 Gas changeover

Note
To reset the appliance from natural gas to LPG mode, you need the Vaillant conversion kit Art. No. 00 20010641.
To reset the appliance from LPG to natural gas mode, you need the Vaillant conversion kit Art. No. 00 20010642.
Convert the appliance as described in the conversion kit.

6 Functional checks (commissioning part II)

6.1 Functional checks

6.1.1 Procedure

After installing and checking the gas supply pressure, perform a function check before commissioning the appliance and handing over to the user.

- Commission the appliance according to the relevant operating manual.
- Check the gas supply pipe, exhaust system, heating system and the hot water lines (combination boilers only) for leaks.
- Check that the flue system has been installed properly according to the flue system assembly manual.
- Check for ignition and an even flame on the burner.
- Perform a function check on the heating system (see section 6.1.2) and the water heating (combination boilers only, see section 6.1.3).
- Hand over the appliance to the user (see section 6.2).

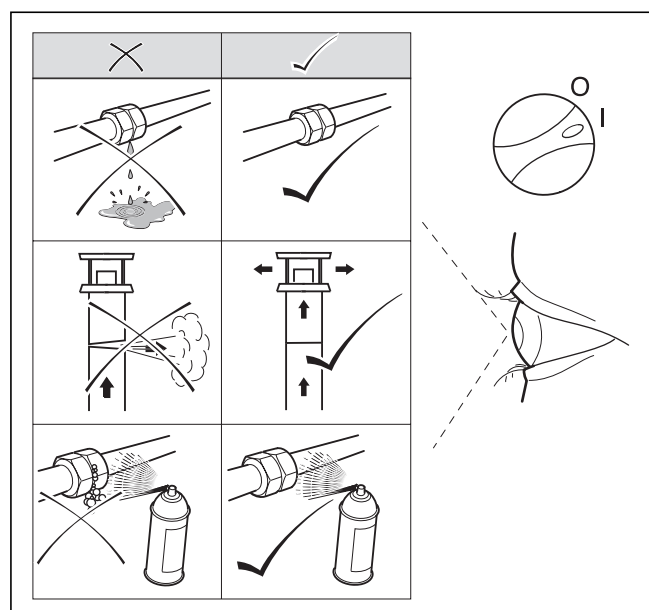


Fig. 6.1 Function check

6 Functional checks (commissioning part II)

6.1.2 Heating

- Switch on the appliance.
- Make sure that there is a heating demand.
- Press "i" to activate the status indicator.

As soon as a heat demand is received, the appliance runs through the status indicators "S. 1" to "S. 3", until the appliance is running correctly in normal mode and the display shows "S. 4".

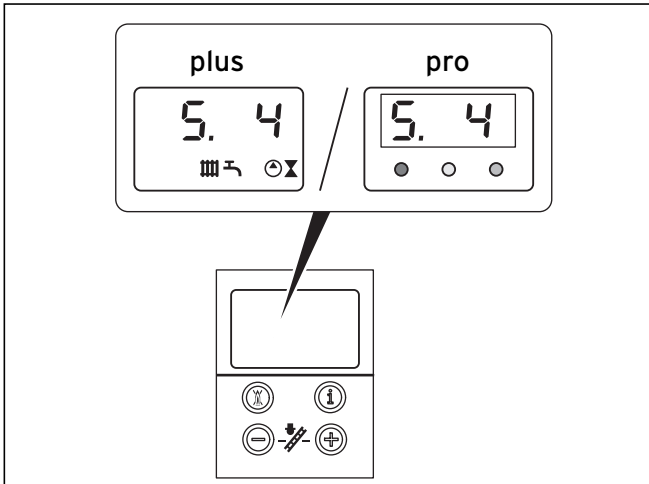


Fig. 6.2 Display indicator during heating mode

6.1.3 Water heating (combination boilers only)

- Switch on the appliance.
- Fully open the hot water tap.
- Press "i" to activate the status indicator.

If the water heating is working correctly, the display shows the following: "S.14".

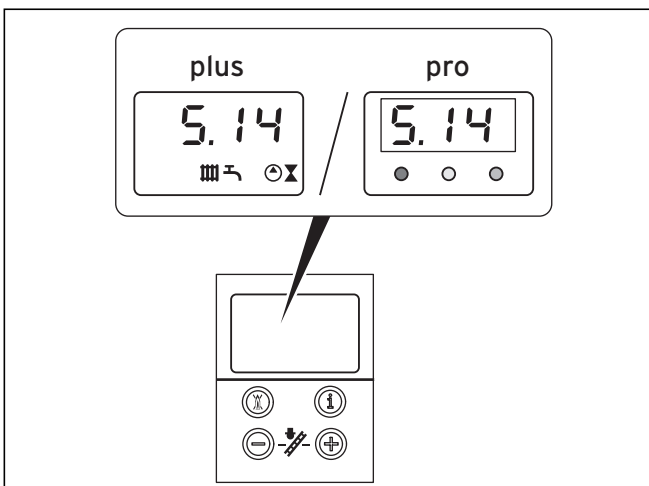


Fig. 6.3 Display indicator during water heating

6.1.4 Final flush of the heating system ("hot")

- Operate the appliance until the appliance and the heating system are up to temperature.
- Check the heating system for leaks.

- Connect a hose to the drain valve located at the lowest position of the heating system.
- Shut off the appliance, open the drain valve and all bleed valves on the radiators and allow the water to flow out of the heating system and the boiler quickly and fully.
- Close the drain valve.
- Fill the heating system again with water as described in Section 5.4.4.
- Release water from the system until the system design pressure of 1.0 bar is attained. (The actual reading on the digital pressure gauge should ideally be 0.5 bar plus an additional pressure corresponding to the highest point of the system above the base of the boiler - 10 m head equals an additional 1 bar reading on the pressure gauge. The minimum pressure should not be less than 1 bar in any installation.) If the system is to be treated with an inhibitor it should be applied at this stage in accordance with the manufacturer's instructions. Further information can be obtained from Sentinel, Betz Dearborn Ltd., Tel: 0151 420 9595, or Fernox, Alpha-Fry technologies. Tel: 0870 8700362.
- Refit the boiler casing (see section 5.10).
- Only in ecoTEC plus appliances: Attach the bottom cover to the boiler by sliding the front edge of the cover into the lip at the bottom front edge of the appliance chassis.
- Carefully push the rear of the bottom cover upwards until the spring retaining clips engage at the side of the appliance. It may be necessary to adapt the bottom cover by removing the easy break sections.

6.2 Handing over to the user



Note

When you have finished the installation, attach the sticker supplied (835593) to the appliance in the user's language.

- Set the maximum radiator temperature control to the desired setting.
- Set the maximum hot water temperature control to the desired setting.
- Instruct the user in the safe and efficient operation of the boiler, in particular the function of
 - the boiler on/off control
 - the maximum radiator temperature control
 - the maximum hot water temperature control (combination boilers only)
 - the pressure gauge
- Show the user how to operate any external controls.
- Explain to the user the importance of having the boiler regularly serviced by a competent servicing company. To ensure regular servicing, it is strongly recommended that arrangements are made for a Maintenance Agreement. Please contact Vaillant Service Solutions (0870 6060 777) for further details.
- Record central heating operating pressure in the Benchmark gas boiler commissioning checklist along

with the heat input (kW) and temperature difference between flow and return.

- Leave the user instructions and the installation instructions with the user.

6.3 Vaillant warranty

Vaillant provide a full parts and labour warranty for this appliance.

The appliance must be installed by a suitably competent person in accordance with the Gas Safety (Installation and Use) Regulations 1998, and the manufacturer's instructions. In the UK 'CORGI' registered installers undertake the work in compliance with safe and satisfactory standards.

All unvented domestic hot water cylinders must be installed by a competent person to the prevailing building regulations at the time of installation (G3).

Terms and conditions apply to the warranty, details of which can be found on the warranty registration card included with this appliance.

Failure to install and commission this appliance in compliance with the manufacturer's instructions may invalidate the warranty (this does not affect the customer's statutory rights).

7 Inspection and maintenance

7.1 Initial inspection

To ensure the continued safe and efficient operation of the boiler it is recommended that it is checked and serviced as necessary at regular intervals. The frequency of servicing will depend upon the particular installation conditions and usage. An inspection must be carried out once a year.



Danger!

It is law that all servicing work is carried out by a competent person (CORGI registered). Inspections/Maintenance work not carried out by a competent person can result in damage to property and personal injury.

Only genuine Vaillant spare parts may be used for inspections, maintenance and repair work to ensure the long-term working order of all functions of your Vaillant appliance.

Any spare parts which might be required are contained in the current spare parts catalogues.

Information can be obtained from Vaillant Customer Service Centres.

7.1.1 Safety instructions

Important:

Before starting any maintenance work:

- Isolate the mains electricity supply by disconnecting the plug at the socket outlet (if there is only an isolating switch remove the fuse from the switch).
- Turn OFF the gas supply at the gas service valve fitted to the boiler.
- When removing any water carrying components ensure that water is kept away from all electrical components.
- Always use new seals and O-rings when parts are replaced.
- Always test for gas soundness and always carry out functional checks after any service work and after replacing any gas carrying component.
- Always check earth continuity, polarity and resistance to earth with a multimeter after any service work and after replacing any electrical component.



Danger!

Electrocution by touching live parts can be fatal!

The supply terminals in the appliance switch box are live even if the main ON/OFF switch is turned off.

Protect the switch box from spray water.

Before working on the appliance, turn off the power supply and secure against restart!

Always perform the following steps after completing any inspection tasks:

- Open the service valves in the heating flow and return and in the cold water inlet (combination boilers only).
- If necessary, refill the device with cold water up to a pressure of approx 1.5 bar and bleed air from the entire heating system.
- Open the service valve of the gas supply pipe.
- Turn on the power supply and the main switch.
- Check the appliance for gas and water leaks.
- Fill and bleed air from the heating system again, if necessary.



Note

If it is necessary to keep the main switch on for certain inspection and maintenance, this is indicated in the description of the maintenance task.



Note

The boiler is fitted with a combustion analysis test point. A suitable combustion analyser can be connected to this point to establish the combustion performance of the boiler. Checking/adjustment of this value is required in the following instances; replacement of gas valve, conversion to or from Natural Gas/ LPG or if incorrect combustion is suspected (see section 9.7).

7 Inspection and maintenance

7.1.2 Maintenance

Before commencing any servicing or maintenance work, carry out an initial inspection of the system as follows:

- Inspect the flue, pipework and electrical connections for indications of damage or deterioration.
- Inspect the air supply and ventilation arrangements of the installation.
- Check the heating and water system, in particular the condition of radiator valves, evidence of leakage from the heating system and dripping hot water taps.

7.1.3 Overview of the inspection and maintenance tasks

No.	Activity	Column 1 Inspection must be carried out once a year	Column 2 Maintenance
1	Check the air / gas flue system and ensure it is not blocked, damaged and is fitted correctly.	x	
2	Measure the gas rate during operation (see table 5.1 inside the chapter commissioning part I). If the gas rate is lower than the minimum gas rate follow the maintenance instructions (column 2).	x	
3	Check combustion by measuring CO and CO ₂ values, compare to table 9.2. If the measurement is outside the tolerances follow the maintenance instructions (column 2). If a flue gas analyser is not available check the ignition and burner flame picture through the sight glass, if incomplete combustion is evident perform the maintenance instructions (column 2).	x	
4	Isolate the appliance from the electrical mains supply, close the gas and water service valves.		x
5	Visually inspect the general heat exchanger area for signs of corrosion, sooting or other forms of damage. If damage is evident perform the tasks in the maintenance column 2.	x	
6	Remove the burner module (as described in section 7.2.1) if maintenance schedule is required from steps 2, 3 or 5 above. Clean the primary heat exchanger. Fit a new burner door seal kit (observe the assembly instructions enclosed with the seal kit). Refit the burner module and tighten the nuts.		x
7	Check all the appliances electrical connections and make adjustments if necessary.	x	x
8	Check / re-pressurise the expansion vessel as necessary.	x	x
9	Check the appliance generally, check for dirt / dust and clean if necessary.	x	x
10	Check and clean the condensate trap and flexible condensate hose.	x	x
11	Open the gas and water service valves, re-establish the electrical supply and turn on the boiler.	x	x
12	Perform a test operation of the appliance including the heating and hot water systems and bleed the system if necessary.	x	x
13	Re-pressurise the appliance / system up to between 1.0 - 2.0 bar (depending on the static height of the system).	x	x
14	Measure the gas rate during operation and ensure it is within the tolerances specified (see table 5.1 inside the chapter commissioning part I).		x
15	Re-check the combustion by measuring the CO and CO ₂ values, (compare to table 9.2). Ensure that the measurement is within the tolerances. If a flue gas analyser is not available check the ignition and burner flame picture visually through the sight glass.		x
16	Check the boiler for leaks of any kind, rectify as necessary.	x	x
17	Complete the gas commissioning checklist (Benchmark).	x	x

Table 7.1 Inspection and maintenance steps

7.1.4 Functional check of boiler operation

- Carry out a functional check of the boiler operation as previously detailed.
- Remove the appliance casing as detailed and operate the boiler.
- Inspect the burner operation through the viewing window.
- Check that the flames are evenly covering the surface of the burner.
- Inspect for signs of excessive flame lift or sooting.

7.2 Servicing the burner module

7.2.1 Removing the burner module

The burner module consists of the burner, fan, gas valve and the gas supply (mixer tube). These four components make up the complete assembly, the burner module.



Danger!
There is danger of being injured or burnt by the burner module and at all components carrying water. Only carry out work on these components once they have cooled down.

Proceed as follows to remove it:

- Turn off the boiler
- Isolate the electrical supply to the boiler.
- Remove boiler bottom cover by releasing the two spring retaining lugs and lowering the rear of the bottom cover.
- Gently pull the bottom cover backwards to remove from the appliance.
- Turn off the gas service valve.
- Turn off the boiler CH service valves.
- Loosen screw, release the front case spring retaining clips located beneath the front edge of the appliance.
- Remove the front casing by easing forward the bottom edge and gently lifting.
- Lower electronic control box.

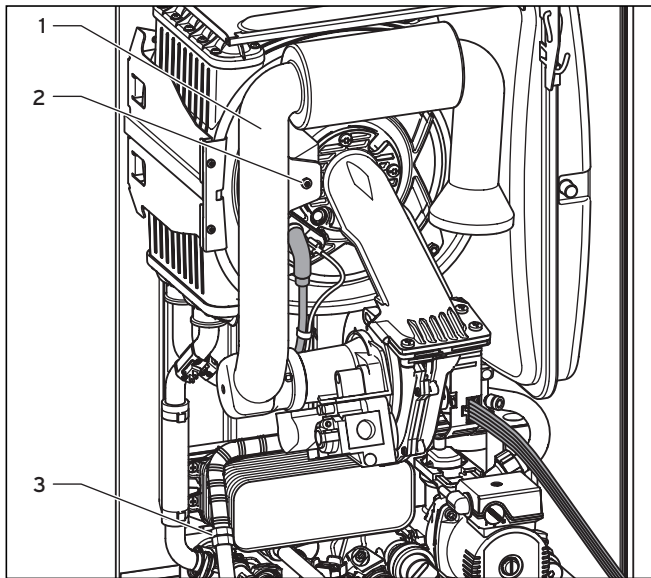


Fig. 7.1 Dismantling air intake pipe

- Remove screw (2) and remove the air intake pipe (1).
- Disconnect the gas supply (3) on the gas valve. Ensure the corrugated gas pipe does not twist by holding the flattened section of the pipe, with an open ended spanner, whilst loosening the union nut.



Caution!
Damage to corrugated gas pipe!
Under no circumstances must the burner module be suspended from the flexible corrugated gas pipe.

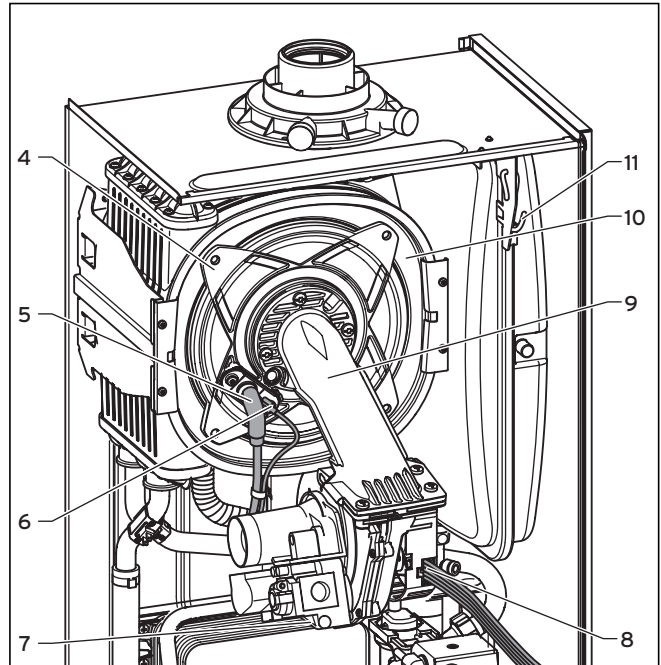


Fig. 7.2 Dismantling burner module

- Disconnect HT lead (5) and earth lead (6) from spark electrode.
- Remove four nuts (4) from burner manifold.
- Disconnect two electrical connections (7 and 8) from fan and gas valve.
- Pull forward and remove burner, gas valve and fan assembly (9) from integral condensation heat exchanger (10).



Note
You can suspend the burner module on the hook (11) while carrying out maintenance tasks.

- After removing the thermal compact module, clean the components as described below.

7.2.2 Cleaning the integral condensation heat exchanger



Caution!
Protect the electronics box against sprayed water.

7 Inspection and maintenance

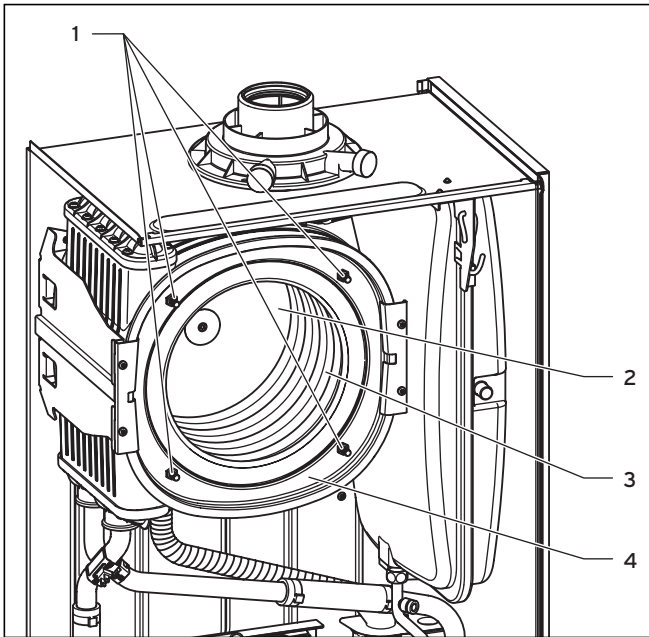


Fig. 7.3 Cleaning the integral condensation heat exchanger

- Dismantle the burner module as described under 7.2.1.



Caution!

Risk of damaging the primary heat exchanger!
Do not attempt to loosen nor retighten the four screws (1).

With the burner and fan assembly removed it is now possible to inspect the main heat exchanger (4).

- Remove any loose deposits from the heating spirals (3) using a soft brush and jet of water (ensure that water is kept away from all electrical components. Any water used to clean the main heat exchanger will drain through the condensate trap). Avoid pointing the water jet directly at the insulating surface (2) on the back of the heat exchanger.

If required the heat exchanger can be cleaned using regular vinegar.

7.2.3 Checking the burner

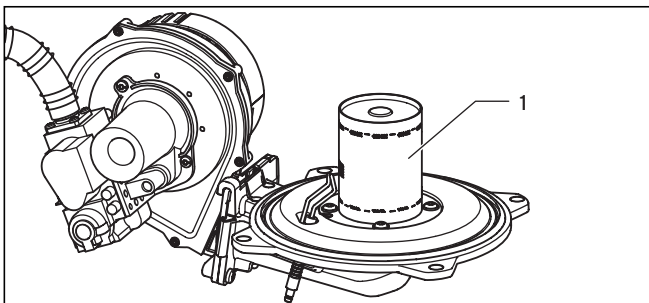


Fig. 7.4 Checking burner

The burner (1) is maintenance-free and needs no cleaning.

- Check the burner surface for damage, replace the burner if necessary.
- After checking/replacing the burner, re-assemble the burner module in the boiler as described in Section 7.2.4.

7.2.4 Refitting the burner module

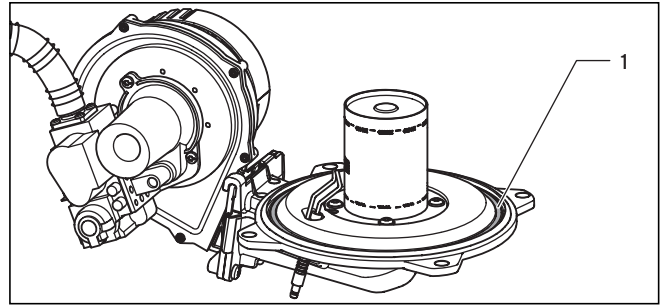


Fig. 7.5 Replacing the burner door seal

- Insert a new seal (1) in the burner door.



Caution!

The burner door seal (1) and the self-locking nuts on the burner module must be replaced each time the module is removed (for example during maintenance, see table 7.1). If the burner flange insulation on the burner module shows any signs of damage other small cracks it must also be replaced.

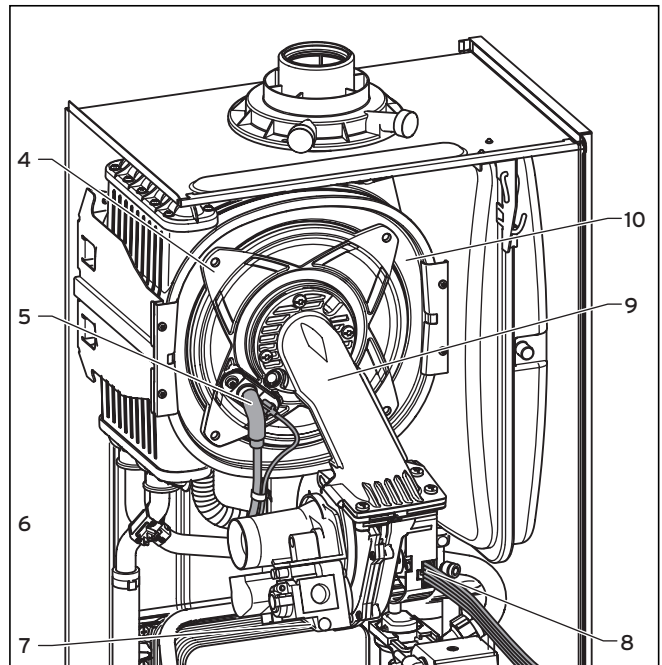


Fig. 7.6 Refitting the burner module

- Insert the burner module (9) in the integral condensation heat exchanger (10).

- Tighten the four nuts (4) on the alternate left and right sides until the burner door fits closely and uniformly to the stop surfaces.
- Reconnect the HT lead (5) and earth lead (6) to the spark electrode.
- Insert the cables (8) on the fan motor and the cable (7) on the gas fitting.

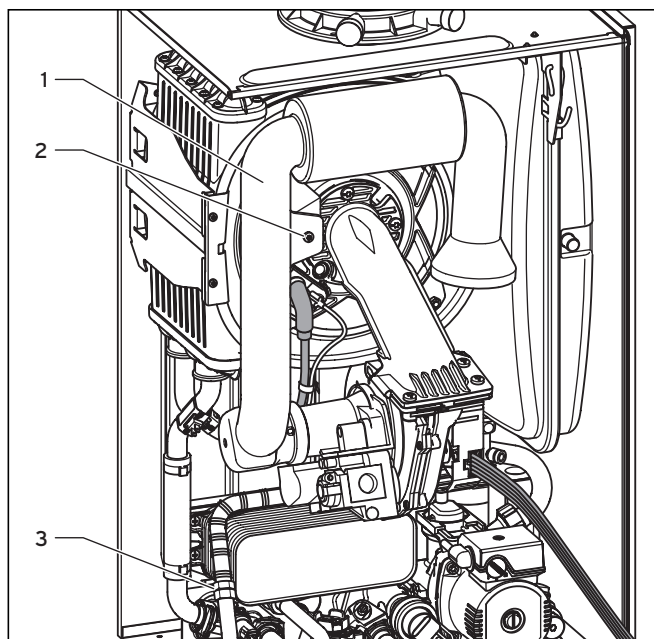


Fig. 7.7 Refitting the gas supply

- Reconnect the gas supply (3) to the gas valve, ensuring that a new sealing washer is used and correctly located. Use the spanner flat at the flexible gas line to hold the gas fittings.

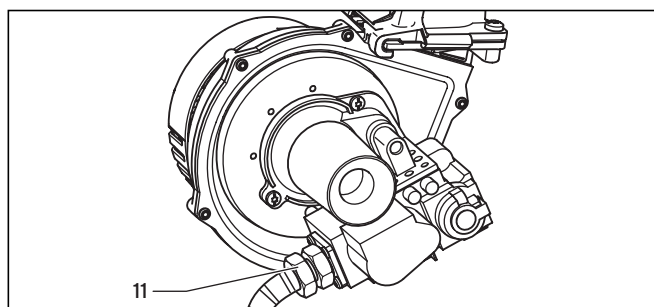


Fig. 7.8 Testing the gas supply for soundness

- Turn on the gas supply and test for soundness. Check especially the screwed connections (3) and (11).
- Refit the air inlet pipe, ensuring that the blue seal in the air intake pipe is correctly located.

7.3 Cleaning the condensate siphon

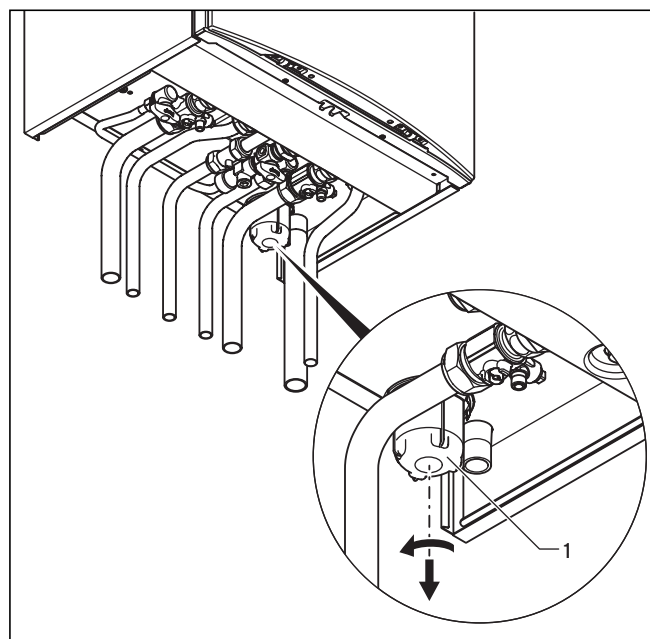


Fig. 7.9 Cleaning the condensate siphon



Danger!

Note that if the boiler is run with an empty condensate trap there is a danger that fumes might escape into the room and cause poisoning. For this reason, it is important to ensure that the trap is topped up each time the unit is cleaned.

- Remove the lower part (1) of the condensate siphon by turning the bayonet catch in anticlockwise direction.
- Clean the siphon part section by rinsing it out with water.
- Fill the lower part with water until about 10 mm below the upper edge.
- Fasten the lower part again on the condensate siphon.

7 Inspection and maintenance

8 Troubleshooting

7.4 Checking the expansion vessel

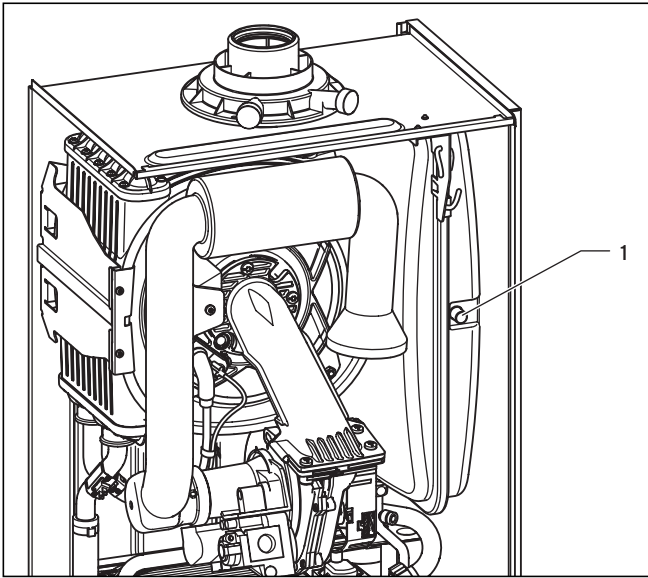


Fig. 7.10 Checking expansion vessel admission pressure

Note

It is not necessary to perform this check every year - a check every three years is sufficient.

- Ensure the boiler CH service valves are closed.
- Release the pressure from the boiler.
- Remove valve cap from expansion vessel charge point.
- Check that the internal charge pressure of the expansion vessel is between 0.75 and 0.9 bar.
If the pressure is lower than this the vessel should be repressurised using an air pump.
- Refit the valve cap.
- Repressurise boiler and heating system.

7.5 Recommissioning the boiler

- Carry out electrical safety checks.
- Turn on the electrical supply.
- Open the boiler CH service valves.
- Carry out function checks of boiler operation as previously detailed.
- Check gas rate as previously detailed.
- Check for water leaks.
- Refit case, ensuring that a good seal is obtained.

7.6 Test operation

Always perform the following checks after completing any maintenance task:

- Commission the appliance according to the relevant operating manual.
- Check the appliance for gas and water leaks.
- Check the air/flue gas system for leaks, check its fastening
- Check for ignition and an even flame on the burner.
- Check that the heating system and the water heating is working (combination boilers only).

- Fill out the Benchmark gas boiler commissioning checklist at the rear of this guide.

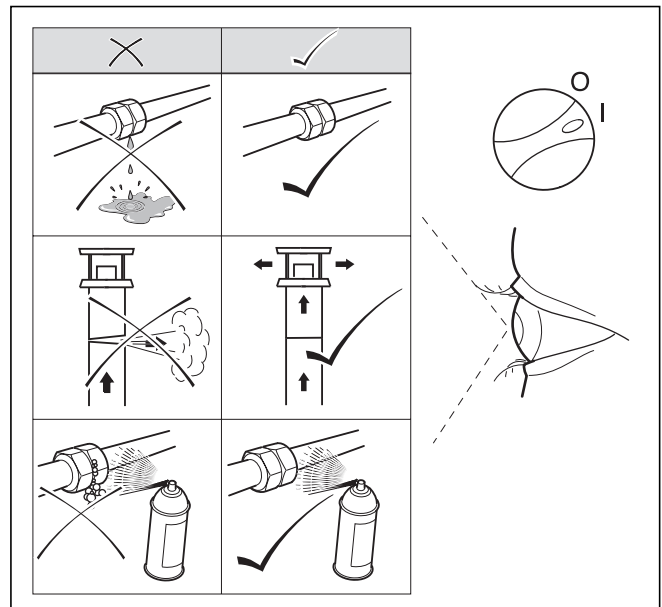


Fig. 7.11 Function check

8 Troubleshooting

8.1 Logical fault finding procedure

These checks must be carried out before attempting to use the fault finding guide.

1. Carry out electrical safety checks (see section 'Preliminary Electrical Checks').
2. Check that the external electricity supply to the boiler is on, and a supply of 230 V~ is present between boiler terminals 'L' and 'N'.
3. Check that the gas supply to the boiler is on, that it has been correctly purged and that an inlet pressure of 20 mbar is available at the gas valve. (See section 'Gas Supply').
4. Ensure the heating system is full of water and charged to between 1 and 1.5 bar. If not, refill and vent the system. (See section 'Filling the heating system'). Ensure boiler flow and return service valves are open.
5. Check that the main on/off control is set to the 'on' position.
6. Set the central heating temperature to maximum.
7. Set the domestic hot water temperature to maximum (combination boilers only).
8. Check that all external controls are on and calling for heat (if no external controls are fitted, boiler terminals 3 and 4 must be linked). Check that the boiler anti-cycling economiser is not engaged.

8.1.1 Status codes

The status codes that you can see on the display provides information about the current operating condition of the appliance.

The display of the status codes can be called as follows:

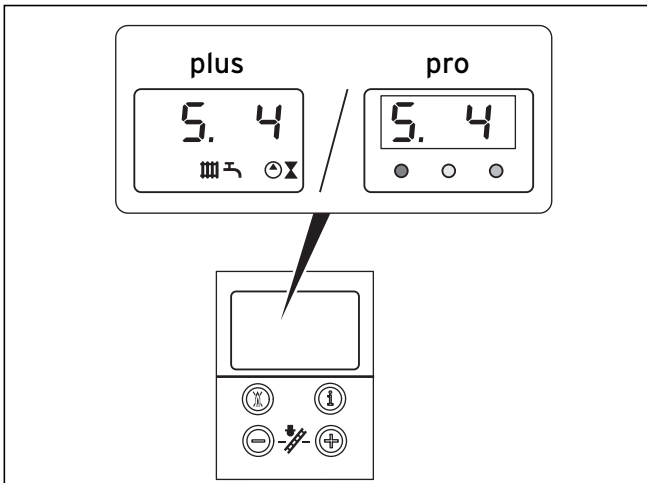


Fig. 8.1 Display of status codes

- Press the “i” key.
The display shows the status code, e.g. **S.4** for “Burner mode - Heating”.

The display of the status codes can be cancelled as follows:

- Press the “i” key
or
- Do not press any key for about 4 minutes.
The current heating flow temperature appears in the display again.

Display	Meaning
Heating mode (all models):	
S. 0	No heat demand
S. 1	Fan running
S. 2	Water pump running
S. 3	Ignition sequence
S. 4	Burner ignited
S. 5	Fan and pump running
S. 6	Fan over run
S. 7	Pump over run
S. 8	Anti cycling mode
Domestic hot water mode (ecoTEC combination boilers only):	
S.10	Hot water demand
S.11	Fan running
S.13	Ignition sequence
S.14	Burner ignited
S.15	Fan and pump running
S.16	Fan over run
S.17	Pump over run

Table 8.1 Status codes

Display	Meaning
Warm start (ecoTEC combination boilers only) / Charge hot water cylinder (ecoTEC system boilers only):	
S.20	Warmstart demand
S.21	Fan running
S.22	Pump running
S.23	Ignition sequence
S.24	Burner ignited
S.25	Fan and water pump running
S.26	Fan over run
S.27	Pump over run
S.28	Anti cycling mode
All boilers:	
S.30	No heating demand from external controls (clamp 3-4 open)
S.31	Central heating thermostat knob turned off or no heat demand by the eBUS control unit
S.32	Heat exchanger antifreeze active, as fan speed variation is too high. Appliance is within the waiting time of the operation block function
S.34	Antifrost mode active
S.36	No heating demand from low voltage controls (clamp 7-8-9)
S.41	Water pressure > 2,9 bar
S.42	Response from accessory modul or defective condensate pump is blocking burner operation
S.52	Water pressure > 2,9 bar
S.53	Appliance is within the waiting period of the operation block function due to water shortage (VL-RL spread too big)
S.54	Appliance is within the waiting period of the operation block function due to water shortage (temperature gradient)
S.96	Return-sensor check is running, demand (DHW or heating) is blocked
S.97	Water pressure sensor check is running, demand (DHW or heating) is blocked
S.98	Flow-/Return-sensor check is running, demand (DHW or heating) is blocked

Table 8.1 Status codes (continued)

8.1.2 Diagnostic codes

In the diagnostic mode, you can change certain parameters or display more information. The diagnostic information is divided into two diagnostic levels. The second diagnostic level can be reached only after entering a password.



Caution!

Access to the second diagnostic level must be used exclusively by a qualified technician.

8 Troubleshooting

First Diagnostic level

- Press the “i” and “+” keys simultaneously. The display shows “d.0”.
- Use the “+” or “-” keys to scroll through the desired diagnostic numbers of the first diagnostic level (see table 8.2).
- Press the “i” key.

The display shows the relevant diagnostic information.

- If necessary, use the “+” or “-” keys to change the value (display flashes).
- Save the new value by holding down the “i” key for approx. 5 seconds until the display no longer flashes.

You can end the diagnostic mode as follows:

- Press the “i” and “+” keys simultaneously. or
- Do not press any key for approx. 4 minutes.

The current heating flow temperature appears in the display again.

Display	Meaning	Display value/adjustable value
d. 0	Heating part load	Adjustable heating part load in kW (factory setting: max. output)
d. 1	Water pump over run time for heating mode	2 - 60 min (factory setting: 5 min)
d. 2	Max. burner anti cycling period at 20 °C Flow temperature	2 - 60 min (factory setting: 20 min)
d. 3	Hot water flow temperature reading (combination boiler only)	in °C
d. 4	Current temperature for warm start sensor (combination boilers only) Current storage tank sensor (system boilers only)	in °C
d. 5	Flow temperature target value or return target value when return regulation is set.	in °C, max. the value set in d.71 Limited by the eBUS controller (if an eBUS controller is connected)
d. 6	Hot water temperature target value	in °C, 35 to 65 °C
d. 7	Warm start temperature target value (ecoTEC plus combination boiler only) Storage temperature target value (system boiler only)	in °C, 40 to 65 °C in °C, 15 °C for left stop, then 40 to 70 °C
d. 8	External controls heat demand (Clamp 3-4)	0 = open (no heat request) 1 = closed (heat request)
d. 9	Flow target temperature from external analogue regulator to terminal 7-8-9/eBUS	in °C, minimum from ext. eBUS target value and target value terminal 7
d.10	Status internal heating pump	1 = on, 0 = off
d.11	Status external heating pump	1 to 100 = on, 0 = off
d.12	Cylinder charging pump (via accessory module)	1 to 100 = on, 0 = off
d.13	Hot water circulation pump (via accessory module)	1 to 100 = on, 0 = off
d.22	Hot water demand	1 = on, 0 = off
d.23	Summer/Winter function	1 = Winter, 0 = Summer
d.25	Hot water activation via eBUS Control	1 = yes, 0 = no
d.30	Control signal for both gas valves	1 = on, 0 = off
d.33	Fan speed target value	in rpm/10
d.34	Fan speed actual value	in rpm/10
d.35	Position of diverter valve (combination boilers only)	0 = Heating; 100 = Hot water; 40 = Centre position
d.36	Hot water flow sensor	in l/min
d.40	Flow temperature	Actual value in °C
d.41	Return temperature	Actual value in °C
d.44	Digitised ionisation potential	Display range of 0 to 102, > 80 no flame, < 40 even flame
d.47	Outside temperature (with weather compensating Vaillant controller only)	Actual value in °C
d.67	Remaining burner anti cycling time	in min
d.76	Appliance variant (device specific number)	00 to 99
d.90	Digital regulator status	1 = identified, 0 = unidentified (eBUS Address <=10)
d.91	DCF status with connected external probe with DCF77 receiver	0 = no reception, 1 = reception, 2 = synchronised, 3 = valid
d.97	Activation of the second diagnostic level	Password: 17

Table 8.2 Diagnostic codes of the first diagnostic level

Second diagnostic level

- As described above in the first diagnostic level, scroll through the diagnostic number **d.97**.
- Change the displayed value to **17** (password) and press the "i" button.

You are now in the second diagnostic level where all information from the first diagnostic level (see table 8.2) and the second diagnostic level (see table 8.3) is displayed.

Scrolling and changing values and exiting the diagnostic mode is done as described in the first diagnostic level.



Note

After exiting the second diagnostic level, if you press "i" and "+" within 4 minutes, you will directly reach the second diagnostic level without having to enter the password again.

Display	Meaning	Display value/adjustable value
d.17	Heating flow/return regulation changeover	0 = flow, 1 = return (factory setting: 0)
d.18	Pump mode (return)	0 = return, 1 = nonstop, 2 = winter (factory setting: 0)
d.19	Only in ecoTEC plus: Operating modes of the two-speed heating pump	0 = pre ignition speed 1, hot water or heating speed 2, overrun speed 1 1 = pre ignition speed 1, hot water speed 2, heating speed 1, overrun speed 1 2 = like 1, but speed in heating mode dependent on heating part load d. 0 (if d.0 is below 60% of full load, then pump speed 1, otherwise speed 2) 3 = always speed 2 (factory setting: 2)
d.20	Maximum set value for target cylinder temperature (system boilers only)	Setting range: 50 to 70 °C (factory setting: 65 °C)
d.27	Switching accessory relay 1 in the accessory module	1 = Circulation pump (default) 2 = Ext. pump 3 = Storage charging pump 4 = Flue gas flap/extractor hood 5 = External gas valve 6 = External error message
d.28	Switching accessory relay 2 in the accessory module	1 = Circulation pump 2 = Ext. pump (default) 3 = Storage charging pump 4 = Flue gas flap/extractor hood 5 = External gas valve 6 = External error message
d.50	Offset for minimum speed	in rpm/10, adjustment range: 0 to 300
d.51	Offset for maximum speed	in rpm/10, adjustment range: -99 to 0
d.58	From the third quarter of 2006: Activation of solar reheating	Setting range: 0 to 3 0 = solar reheating disabled (factory setting) 3 = activation of min. hot water target value = 60 °C for solar reheating
d.60	Number of safety temperature limiter cut offs	Quantity
d.61	Number of lock outs	Number of unsuccessful ignitions in the last attempt
d.64	Average ignition time	in seconds
d.65	Maximum ignition time	in seconds
d.68	Unsuccessful ignitions in the first attempt	Quantity
d.69	Unsuccessful ignitions in the second attempt	Quantity
d.70	Set diverter valve position	0 = Normal mode (factory setting) 1 = Centre position 2 = permanent heating position
d.71	Maximum setting of heater control knob	Adjustment range in °C: 40 to 85 (Factory setting: 75)
d.72	Pump overrun time after warm start (combination boilers only) or charging an electronically controlled hot water storage through C1-C2 (system boilers only)	Adjustment range in sec: 0, 10, 20 to 600 Factory setting for combination boilers: 80 Factory setting for system boilers: 300
d.73	Offset for warm start target value (combination boilers only)	Adjustment range: -15 K to +5 K (Factory setting: 0 K)
d.75	Maximum charging time for a storage without own controller (system boilers only)	Adjustment range in min: 20, 21, 22 to 90 (Factory setting: 45)
d.77	Storage partial load (storage charging capacity limit, system boilers only)	Adjustment range in kW: appliance-specific Factory setting: max. output

Table 8.3 Diagnostics codes of the second diagnostic level

8 Troubleshooting

Display	Meaning	Display value/adjustable value
d.78	Storage charging temperature limit (target flow temperature in storage mode, system boilers only)	Adjustment range in °C 55 to 90 (Factory setting: 80)
d.80	Heating operating hours	in h ¹⁾
d.81	Water heating operating hours (combination boilers only)	in h ¹⁾
d.82	Cycles in heating mode	Quantity/100 ¹⁾ (3 corresponds 300)
d.83	Cycles in hot water operation	Quantity/100 ¹⁾ (3 corresponds 300)
d.84	Maintenance indicator: Number of hours until the next maintenance	Adjustment range: 0 to 3000 h and "--" for disabled Factory setting: "--" (300 corresponds to 3000 h)
d.93	DSN appliance variant setting	Adjustment range: 0 to 99
d.96	Factory setting	1 = Resetting adjustable parameters to factory setting

1) Five-digit numbers are saved with the diagnostics codes 80 to 83. If d.80, for example, is selected, only the first two digits of the number are displayed (e. g. 10). The display switches to the last three digits (e. g. 947) by pressing "i". In this example the number of operating hours of the heating is 10947 h. The display returns to the selected diagnostics item by pressing "i" again.

Table 8.3 Diagnostics codes of the second diagnostic level (continued)

8.1.3 Fault codes

Fault codes take priority over all other display functions in the event of a system fault occurring.

If multiple faults occur, the corresponding fault codes are displayed alternately for about two seconds each.

8.1.4 Fault memory

The fault memory stores details of the ten most recent faults.

- Press the "i" and "--" buttons simultaneously.
- Use the "+" button to scroll back through the list of memorised errors.

To cancel fault error memory display mode, proceed as follows:

- Press the "i" button below the display or
- Do not touch any key for about four minutes. The display will now revert back to showing the current flow temperature.

Code	Meaning	Cause
F. 0	Flow-NTC open circuit	NTC broken, NTC cable broken, Defective connection at NTC, Defective connection at electronics
F. 1	Return-NTC open circuit	NTC broken, NTC cable broken, Defective connection at NTC, Defective connection at electronics
F.10	Flow NTC short circuit	NTC defective, short circuit in cable harness, cable/casing shortcut
F.11	Return NTC short circuit	NTC defective, short circuit in cable harness, cable/casing shortcut
F.13	Tank NTC short circuit	NTC defective, short circuit in cable harness, cable/casing shortcut
F.20	Safety temperature limiter by NTC activated	Flow-NTC not correctly thermal-connected or defective; appliance does not shut down
F.22	Dry fire	Too little water in the appliance, water pressure sensor defective, cable to pump or water sensor defective, pump blocked or defective, pump output too low
F.23	Water shortage, temperature difference between flow and return NTC too large	Pump blocked or defective, pump output too low, flow and return NTC interchanged
F.24	Water shortage, temperature rise too quick	Pump blocked, insufficient pump output, air in appliance, water pressure too low

Table 8.4 Error codes

Code	Meaning	Cause
F.25	Interruption in the compact thermal module cable harness	Compact thermal module cable harness defective
F.27	Incorrect sensing of flame	Flame detector defective
F.28	Appliance does not start: Attempts to ignite during start failed	Faults in the gas supply such as: - Gas meter or gas pressure detector defective - Air in gas - Gas flow pressure too low - Fire protection tap has disengaged Faults in the gas valve, wrong gas setting, igniter (ignition transformer, ignition cable, ignition plug) defective, ionisation current stopped (cable, electrode), faulty earthing in appliance, electronics defective
F.29	Flame goes off during operation and subsequent ignition attempts failed	Gas supply temporarily stopped, faulty earthing of appliance
F.32	Fan speed variation	Fan blocked, plug not inserted correctly on fan, hall sensor defective, fault in cable harness, electronics defective
F.49	eBUS undervoltage	Short circuit on eBUS, overload on eBUS or two power sources on eBUS with different polarity
F.61	Gas-valve control defective	Short circuit/earth (ground) leak in cable harness to gas valves, gas valve assembly defective (earth/ground leak from coils), electronic control system defective
F.62	Gas valve shutoff delay	Gas valve leaking, electronics defective
F.63	EEPROM error	Electronics defective
F.64	Electronics/NTC fault	Short-circuit in flow or return NTC or electronics defective
F.65	Electronics temperature too high	Electronics too hot due to external effect, electronics defective
F.67	Flame detector input signal is outside the limits (0 or 5 V)	Electronics defective
F.70	No valid DSN in display and/or mainboard	Spare part failure display and mainboard interchanged at same time and device specific number not adjusted
F.71	Flow NTC reports constant value (stuck at)	Flow NTC is defective
F.72	Flow and/or return NTC fault	Flow and/or return NTC is defective (tolerances too big)
F.73	Water pressure sensor signal out of range (too low)	Cable to water pressure sensor is broken or has a short-circuit at 0 V or water pressure sensor defective
F.74	Water pressure sensor signal out of range (too high)	Cable to water pressure sensor has a short-circuit at 5 V / 24 V or internal fault in water pressure sensor
F.75	No pressure rise was detected on turning on the pump	Water pressure sensor or/and pump defective Air in the heating system, quick bleeder defective Too little water in appliance; check adjustable by-pass; connect external expansion vessel to return
F.76	Overheating protection on primary heat exchanger triggered	Cable or cable connection of fuse in the primary heat exchanger defective, or primary heat exchanger defective
F.77	condensate pump or feedback of accessory blocks heating	condensate pump defective or flume flap feedback triggered
F.78	wrong configuration with accessory	link box VR65 connected to combination boiler
con	no communication to mainboard	connection error display mainboard

Table 8.4 Error codes (continued)

8 Troubleshooting

9 Parts replacement

8.4 Test programs

Special functions can be triggered on the appliances by activating various test programs.

These programs are given in detail in the Table 8.5.

- The test programs P.0 to P.6 will be started when "Power ON" is turned on and the "+" key is pressed for 5 s. The display shows "P.0".
- Press the "+" key to start counting the test number upwards.
- Press the "i" to operate the appliance now and to start the test program.
- Press "i" and "+" simultaneously to exit the test programs. You can also exit the test programs by not pressing any key for 15 minutes.

Display	Meaning
P.0	Bleeding test program. The heating circuit and hot water circuit (combination boiler only) is bled via the automatic air vent (the cap on the automatic air vent must be loosened).
P.1	Test program where the appliance is operated in full load after successful ignition
P.2	Test program where the appliance is operated with minimum gas volume (ignition gas volume) after successful ignition
P.3	not available
P.4	not available
P.5	Test program for the safety temperature limit check; appliance heats up by by-passing a regulating shut-down through the flow regulator until the shutoff temperature of 97 °C is achieved.
P.6	Filling test program. The diverter valve moves to the centre position

Table 8.5 Test programs

8.5 Resetting parameter to factory settings

Besides the option to reset individual parameters manually to the factory settings specified in tables 8.2 and 8.3, you can also reset all parameters simultaneously.

- In the second diagnostic level, under the diagnostic number "d.96" change the value to 1 (see section 8.1.2).

The parameters of all adjustable diagnostic numbers now correspond to the factory settings.

9 Parts replacement

The tasks listed below in this section may be carried out only by a qualified engineer.

- Only use genuine spare parts for repairs.
- Make sure the parts are correctly fitted and that their original position and alignment are retained.

9.1 Safety instructions



Danger!

Each time the components are replaced, comply with the safety instructions below for your own safety and to avoid damage to the appliance!

- Put the appliance out of operation.



Important:

Before starting any maintenance work: Isolate the mains electricity supply by disconnecting the plug at the socket outlet (if there is only an isolating switch remove the fuse from the switch).

- Close the service valve in the gas supply as well as the service valves in the heating flow and return pipe.
- Close the service valve in the cold water supply line (combination boilers only)!
- Empty the appliance if you want to replace water-bearing components of the appliance!
- Make sure that no water drops on live components (e.g. switch box etc.)!
- Use only new seals and O-rings!
- After completing the work, check for gas leaks and perform a function check (see section 7.6)!
- Always check earth continuity, polarity and resistance to earth with a multimeter after any service work and after exchanging any electrical component.

9.2 Replacing burner



Danger!

Before replacing the component, comply with the safety instructions in Section 9.1.

- Dismantle the burner module as described in Section 7.2.1.

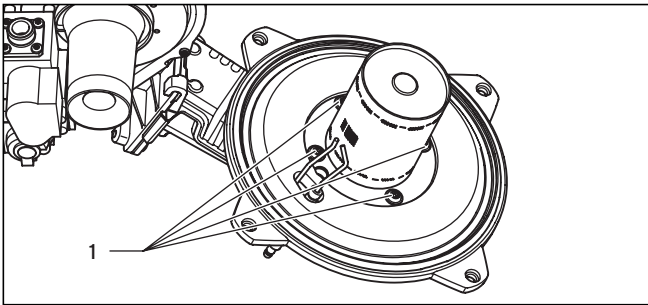


Fig. 9.1 Replacing burner

- Loosen the 4 screws (1) on burner, and remove the burner.
- Mount the new burner with a new seal. Ensuring that the notch in the burner aligns with the burner viewing window.
- Install the burner module as described in Section 7.2.4.
- After completing the work, check for gas leaks and perform a function check (see section 7.6)!

9.3 Replacing fan or gas valve



Danger!
Before replacing the component, comply with the safety instructions in section 9.1.

- Turn off the boiler.
- Isolate the electrical supply to the boiler
- Remove the air intake pipe (Fig. 7.1, Pos. 2).
- Loosen the gas supply pipe on the gas fitting (Fig. 7.2, Pos. 3).

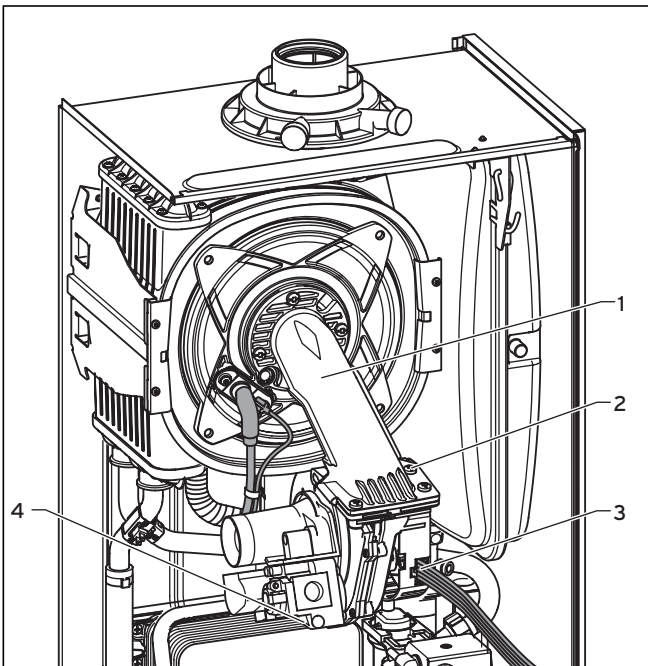


Fig. 9.2 Dismantling fan with gas fitting

- Pull out the plug (4) from the gas valve.
- Pull out the plug (3) from the fan.

- Remove the three screws (2) on the burner module (1).
- Remove the complete "gas valve/fan" unit.

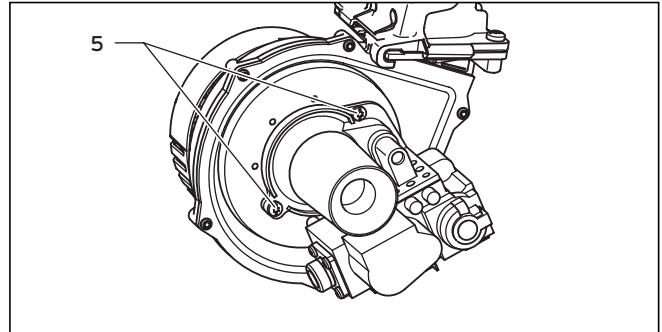


Fig. 9.3 Gas fitting/fan screwed joint

- Remove both fixing screws (5) on the gas valve and remove the fan from the gas valve.
- Replace the defective component.



Caution!
Mount the gas valve and the fan in the same position as before.

- Screw on the fan with the gas valve. Please use new seals.
- Install the complete "gas valve/fan" unit in reverse sequence.
- After completing the work, check for gas leaks and perform a function check (see section 7.6)!

9.4 Replacing expansion vessel



Danger!
Before replacing the component, comply with the safety instructions in Section 9.1.

- Disconnect the appliance from the mains as described in Section 9.1, and close the service valve in the gas supply pipe.
- Close the flow and return service valves and drain the water from the boiler.

9 Parts replacement

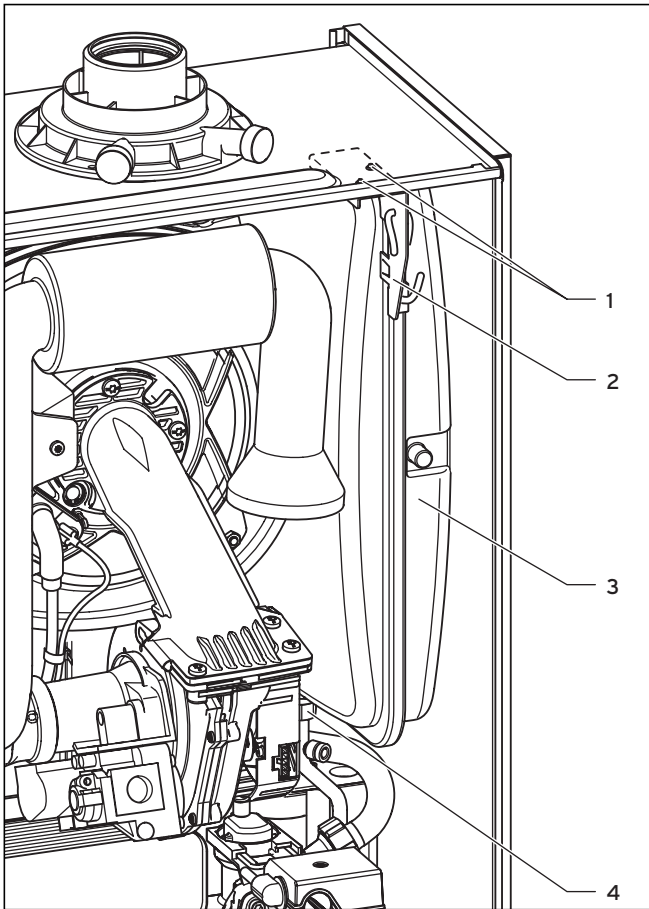


Fig. 9.4 Replacing expansion vessel

- Undo the nut (**4**) on the water pipe on the lower side of the expansion vessel.
- Remove both screws (**1**) retaining plate (**2**) and remove the retaining plate.
- Pull out the expansion vessel (**3**) forwards.
- Guide the new expansion vessel back into the appliance.
- Re-connect the new expansion vessel using a new seal.
- Refix the retaining plate.
- Check the pressure of the expansion vessel (minimum pressure 0.75 bar).
If necessary, adjust the pressure to the static height of the heating system.
- Fill and vent the boiler.
- After completing the work, check for water leaks and perform a function check (see section 7.6)!

9.5 Replacing primary heat exchanger



Danger!

Before replacing the component, comply with the safety instructions in Section 9.1.

- Disconnect the appliance from the mains as described in Section 9.1, and close the service valve in the gas supply pipe.
- Close the flow and return service valves and drain the appliance.
- Remove the burner module as described under 7.2.1.
- Remove the expansion vessel as described under 9.4.
- Pull out the condensate pipe to the siphon from the primary heat exchanger.

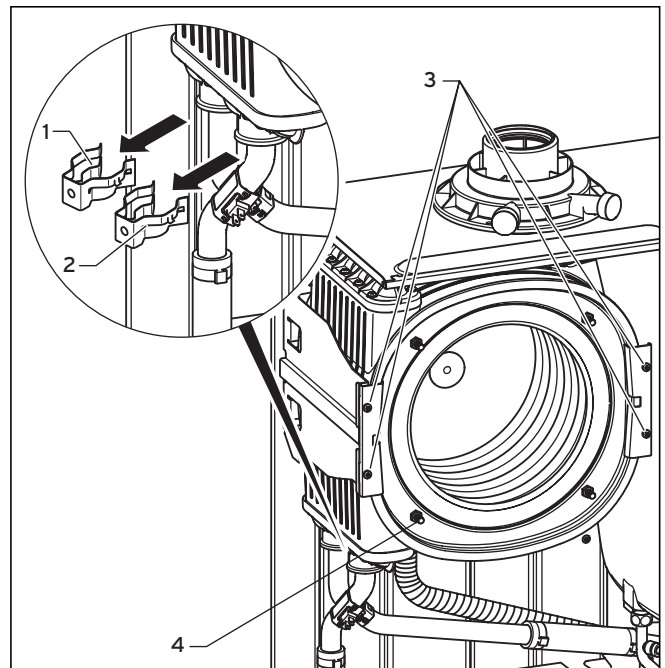


Fig. 9.5 Replacing primary heat exchanger

- Pull out the clamps (**1**) and (**2**) and free the return pipe as well as the flow pipe on the primary heat exchanger.
- Remove the four screws (**3**) on the primary heat exchanger holder.

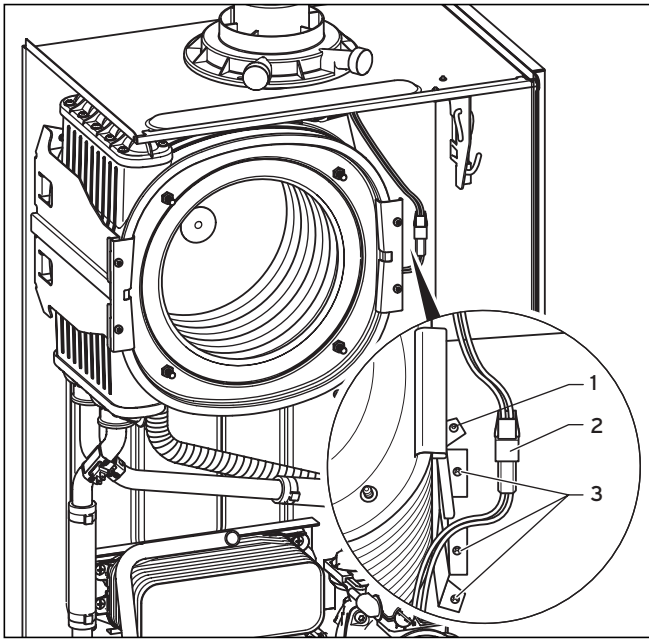


Fig. 9.6 Primary heat exchanger holder

- Disconnect the plug-in connection (2) of the thermal fuse in the primary heat exchanger.
- Remove the three screws (3) on the primary heat exchanger holder.
- Turn the holder to the side around the rivet (1), pull the primary heat exchanger downwards to the right and remove it from the appliance.
- Mount the new primary heat exchanger in reverse order and replace the seals.

Caution!
Risk of damaging the primary heat exchanger!
Neither loosen nor retighten the four screws (Fig. 9.5, Pos. 4).

Caution!
Insert the seal rings for the flow and return pipe on the primary heat exchanger with a suitable lubricant.
Insert the flow and return connection in the primary heat exchanger as far as they will go and make sure the clamps are fitted correctly on the flow and return pipe (see fig. 9.5).

- Fill and vent the boiler as required.
- After completing the work, check for gas and water leaks and perform a function check (see section 7.6)!

9.6 Replacing electronics and display

Danger!
Before replacing the component, comply with the safety instructions in Section 9.1.

- Comply with the assembly and installation manuals provided with the spare parts.

Replacing display or electronics

If you are replacing only one of the two components, the parameter adjustment functions automatically. On turning on the appliance, the new component takes over the previously set parameters from the components that are not replaced.

Replacing display and electronics

When replacing both components, after being turned on, the appliance goes to fault and displays the error message "F70".

- In the second diagnostic level, under the diagnostic number "d.93" enter the number of appliance variant according to Table 9.1 (see section 8.1.2).

The electronics is now set to the appliance type and the parameters of all adjustable diagnostics numbers correspond to the factory settings.

Appliance	Device specific number
ecoTEC plus 612	0
ecoTEC plus 615	1
ecoTEC plus 618	2
ecoTEC plus 624	3
ecoTEC plus 630	4
ecoTEC plus 637	5
ecoTEC plus 824	6
ecoTEC plus 831	7
ecoTEC plus 837	8
ecoTEC pro 24	7
ecoTEC pro 28	0

Table 9.1 Device specific numbers

9.7 Check CO₂ content and if necessary set (air-ratio adjustment)

Note
Checking/adjustment of this value is required in the following instances: replacement of gas valve, conversion to or from Natural Gas/LPG or if incorrect combustion is suspected!

- Remove the front cover.
- Press the "+" and "-" keys simultaneously. The "Full load mode" is activated.
- Wait at least 5 minutes until the appliance reaches its operating temperature.

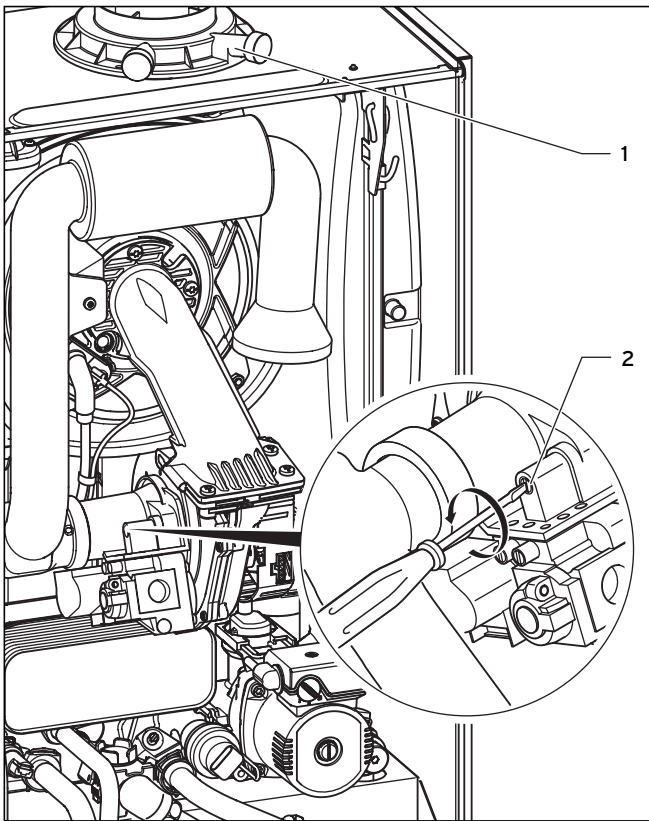


Fig. 9.7 Carrying out measurement of CO₂ levels, preparing for air-ratio adjustment

- Measure the CO₂ content on the flue gas measuring nozzles (1).
- If necessary, loosen the screw and fold the suction pipe extension forwards by 90° (don't remove!).
- If necessary, set the corresponding flue gas value (value with removed appliance front, see table 9.2) by turning the screw (2).
 -> Turn to the left: higher CO₂ content,
 -> Turn to the right: lower CO₂ content,



Note

**Only for natural gas:
 Adjust only in increments of 1/8 turn and wait approx. 1 minute after each adjustment until the value stabilises.**

**Only for liquid gas:
 Adjust only in very small increments (approx. 1/16 turn), and wait approx. 1 minute after each adjustment until the value stabilises.**

- Fold back the suction pipe extension upwards.
- Check the CO₂ content again.
- If necessary, repeat setting.
- Press the "+" and "-" keys simultaneously. The "Full load mode" is turned off. The full load mode is also turned off if no key is pressed for 15 minutes.
- Fasten the suction pipe extension.
- Attach the front cover again.

Settings	Natural gas (H) Tolerance	Propane Tolerance	Unit
CO ₂ after 5 min. full load mode with appliance front closed	9.2 ± 1,0	10.2 ± 0,5	Vol.-%
CO ₂ after 5 min. full load mode with appliance front removed	9.0 ± 1,0	10.0 ± 0,5	Vol.-%
Set for Wobbe-Index W ₀	15	22.5	kWh/m ³
CO value with full load	< 250	< 250	ppm

Table 9.2 Factory gas settings

10 Recycling and disposal

Both the Vaillant ecoTEC and the associated transport packaging consist primarily of recyclable raw materials.

The Vaillant ecoTEC and all accessories and packaging must not be disposed of in the normal household rubbish. Make sure that the old unit and any existing accessories and the transport packaging is handed over to a proper disposal organisation.

11 Vaillant service

To ensure regular servicing, it is strongly recommended that arrangements are made for a Maintenance Agreement. Please contact Vaillant Service Solutions (0870 6060 777) for further details.

Appendix



EC declaration of conformity

Name and Adress of the manufacturer:

Vaillant GmbH
Berghauser Str. 40
42859 Remscheid

Identification of product:

Condensing wall-hung boiler with its flue ducts

Identification of type:

VU GB 126/3-5, ...156/3-5, ...186/3-5, ...246/3-5,
...306/3-5, ... 376/3-5
VUW GB 246/3-5, ...316/3-5, ...376/3-5
VUW GB 246/3-3, ...286/3-3

The appliance types as described satisfy the essential requirements of the directives which apply to them:

90/396/EEC

"Directive on the approximation of the law of the member states relating to appliances burning gaseous fuels"

Designed and built to CE-type examination certificate:

PIN no: **CE-0085PB0464**

92/42/EEC

"Directive of efficiency relating to boiler burning gaseous fuels"

Designed and built according to European Standards:

EN 483
EN 677
EN 625
EN 60335-1
EN 60529
EN 50165
EN 55014
EN 61000-3-2
EN 61000-3-3

73/23/EEC

"Directive on the harmonization of the laws of Member States relating to electrical equipment designed for use within certain voltage limits"

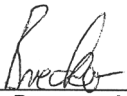
89/336/EEC


"Directive on the approximation of the law of the member states relating to electromagnetic compatibility"

Any change on the appliance and/or any use not according to the instructions will lead to the invalidation of this Declaration of Conformity

Remscheid, 29.09.2006

(place, date)


 Group Programm Manager
 i. V. H.J. Brecker


 Group Certification Manager
 i. V. A. Nunn

Vaillant 0332006

Vaillant GmbH

Berghauser Str. 40 ■ D-42859 Remscheid ■ main phone no. +49 21 91/18-0 ■ Telefax +49 21 91/18-28 10
 Ltd. company ■ Registered office: Remscheid ■ Registry court: Amtsgericht Wuppertal HRB 11775
 Directors: Dr. Michel Brosset, Claes Göransson ■ Chairman of the Supervisory Board: Gert Krüger
 Commerzbank Remscheid (code 340 400 49) account no. 621 833 300 ■ USt-Ident-Nr. DE 811142240

P:\01 approval projects\projects 2004\Vaillant\PA625 ecoEuro13 Declaration of conformity\Konf_CE_0085PB0464_GB_ext_2.doc\10.12.2001\hr



GAS BOILER COMMISSIONING CHECKLIST

BOILER SERIAL No. _____ NOTIFICATION No. _____

CONTROLS To comply with the Building Regulations, each section must have a tick in one or other of the boxes

TIME & TEMPERATURE CONTROL TO HEATING	ROOM T/STAT & PROGRAMMER/TIMER <input type="checkbox"/>	PROGRAMMABLE ROOMSTAT <input type="checkbox"/>
TIME & TEMPERATURE CONTROL TO HOT WATER	CYLINDER T/STAT & PROGRAMMER/TIMER <input type="checkbox"/>	COMBI BOILER <input type="checkbox"/>
HEATING ZONE VALVES	FITTED <input type="checkbox"/>	NOT REQUIRED <input type="checkbox"/>
HOT WATER ZONE VALVES	FITTED <input type="checkbox"/>	NOT REQUIRED <input type="checkbox"/>
THERMOSTATIC RADIATOR VALVES	FITTED <input type="checkbox"/>	
AUTOMATIC BYPASS TO SYSTEM	FITTED <input type="checkbox"/>	NOT REQUIRED <input type="checkbox"/>

FOR ALL BOILERS CONFIRM THE FOLLOWING

THE SYSTEM HAS BEEN FLUSHED IN ACCORDANCE WITH THE BOILER MANUFACTURER'S INSTRUCTIONS?

THE SYSTEM CLEANER USED _____

THE INHIBITOR USED _____

FOR THE CENTRAL HEATING MODE, MEASURE & RECORD

GAS RATE m³/hr ft³/hr

BURNER OPERATING PRESSURE (IF APPLICABLE) N/A mbar

CENTRAL HEATING FLOW TEMPERATURE °C

CENTRAL HEATING RETURN TEMPERATURE °C

FOR COMBINATION BOILERS ONLY

HAS A WATER SCALE REDUCER BEEN FITTED? YES NO

WHAT TYPE OF SCALE REDUCER HAS BEEN FITTED? _____

FOR THE DOMESTIC HOT WATER MODE, MEASURE & RECORD

GAS RATE m³/hr ft³/hr

MAXIMUM BURNER OPERATING PRESSURE (IF APPLICABLE) N/A mbar

COLD WATER INLET TEMPERATURE °C

HOT WATER OUTLET TEMPERATURE °C

WATER FLOW RATE lts/min

FOR CONDENSING BOILERS ONLY CONFIRM THE FOLLOWING

THE CONDENSATE DRAIN HAS BEEN INSTALLED IN ACCORDANCE WITH THE MANUFACTURER'S INSTRUCTIONS? YES

FOR ALL INSTALLATIONS CONFIRM THE FOLLOWING

THE HEATING AND HOT WATER SYSTEM COMPLIES WITH CURRENT BUILDING REGULATIONS

THE APPLIANCE AND ASSOCIATED EQUIPMENT HAS BEEN INSTALLED AND COMMISSIONED IN ACCORDANCE WITH THE MANUFACTURER'S INSTRUCTIONS

IF REQUIRED BY THE MANUFACTURER, HAVE YOU RECORDED A CO/CO₂ RATIO READING? N/A YES CO/CO₂ RATIO

THE OPERATION OF THE APPLIANCE AND SYSTEM CONTROLS HAVE BEEN DEMONSTRATED TO THE CUSTOMER

THE MANUFACTURER'S LITERATURE HAS BEEN LEFT WITH THE CUSTOMER

COMMISSIONING ENG'S NAME PRINT _____ CORGI ID No. _____

SIGN _____ DATE _____

SERVICE INTERVAL RECORD

It is recommended that your heating system is serviced regularly
and that you complete the appropriate Service Interval Record Below.

Service Provider. Before completing the appropriate Service Interval Record below, please ensure you have carried out the service as described in the boiler manufacturer's instructions. Always use the manufacturer's specified spare part when replacing all controls

SERVICE 1 DATE

ENGINEER NAME

COMPANY NAME

TEL No.

CORGI ID CARD SERIAL No.

COMMENTS

SIGNATURE

SERVICE 2 DATE

ENGINEER NAME

COMPANY NAME

TEL No.

CORGI ID CARD SERIAL No.

COMMENTS

SIGNATURE

SERVICE 3 DATE

ENGINEER NAME

COMPANY NAME

TEL No.

CORGI ID CARD SERIAL No.

COMMENTS

SIGNATURE

SERVICE 4 DATE

ENGINEER NAME

COMPANY NAME

TEL No.

CORGI ID CARD SERIAL No.

COMMENTS

SIGNATURE

SERVICE 5 DATE

ENGINEER NAME

COMPANY NAME

TEL No.

CORGI ID CARD SERIAL No.

COMMENTS

SIGNATURE

SERVICE 6 DATE

ENGINEER NAME

COMPANY NAME

TEL No.

CORGI ID CARD SERIAL No.

COMMENTS

SIGNATURE

SERVICE 7 DATE

ENGINEER NAME

COMPANY NAME

TEL No.

CORGI ID CARD SERIAL No.

COMMENTS

SIGNATURE

SERVICE 8 DATE

ENGINEER NAME

COMPANY NAME

TEL No.

CORGI ID CARD SERIAL No.

COMMENTS

SIGNATURE

SERVICE 9 DATE

ENGINEER NAME

COMPANY NAME

TEL No.

CORGI ID CARD SERIAL No.

COMMENTS

SIGNATURE

SERVICE 10 DATE

ENGINEER NAME

COMPANY NAME

TEL No.

CORGI ID CARD SERIAL No.

COMMENTS

SIGNATURE

Vaillant Ltd

Vaillant House ■ Medway City Estate ■ Trident Close ■ Rochester ■ Kent ME2 4EZ
Telephone 01634 292300 ■ Fax 01634 290166 ■ www.vaillant.co.uk ■ info@vaillant.co.uk